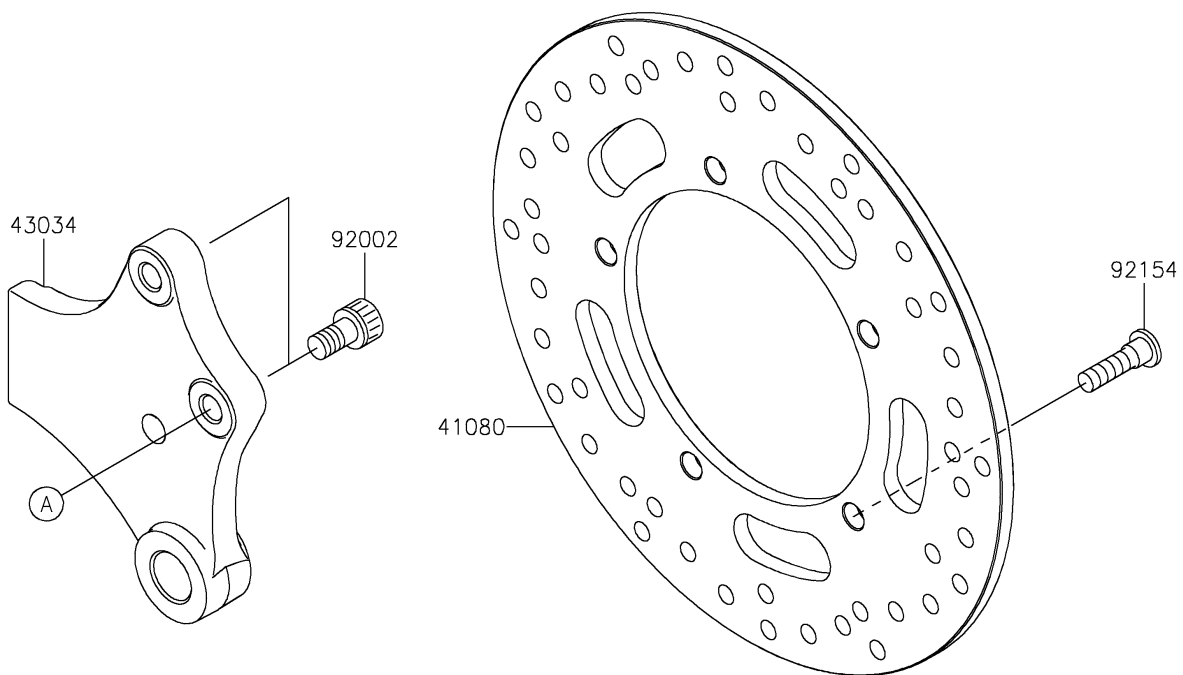
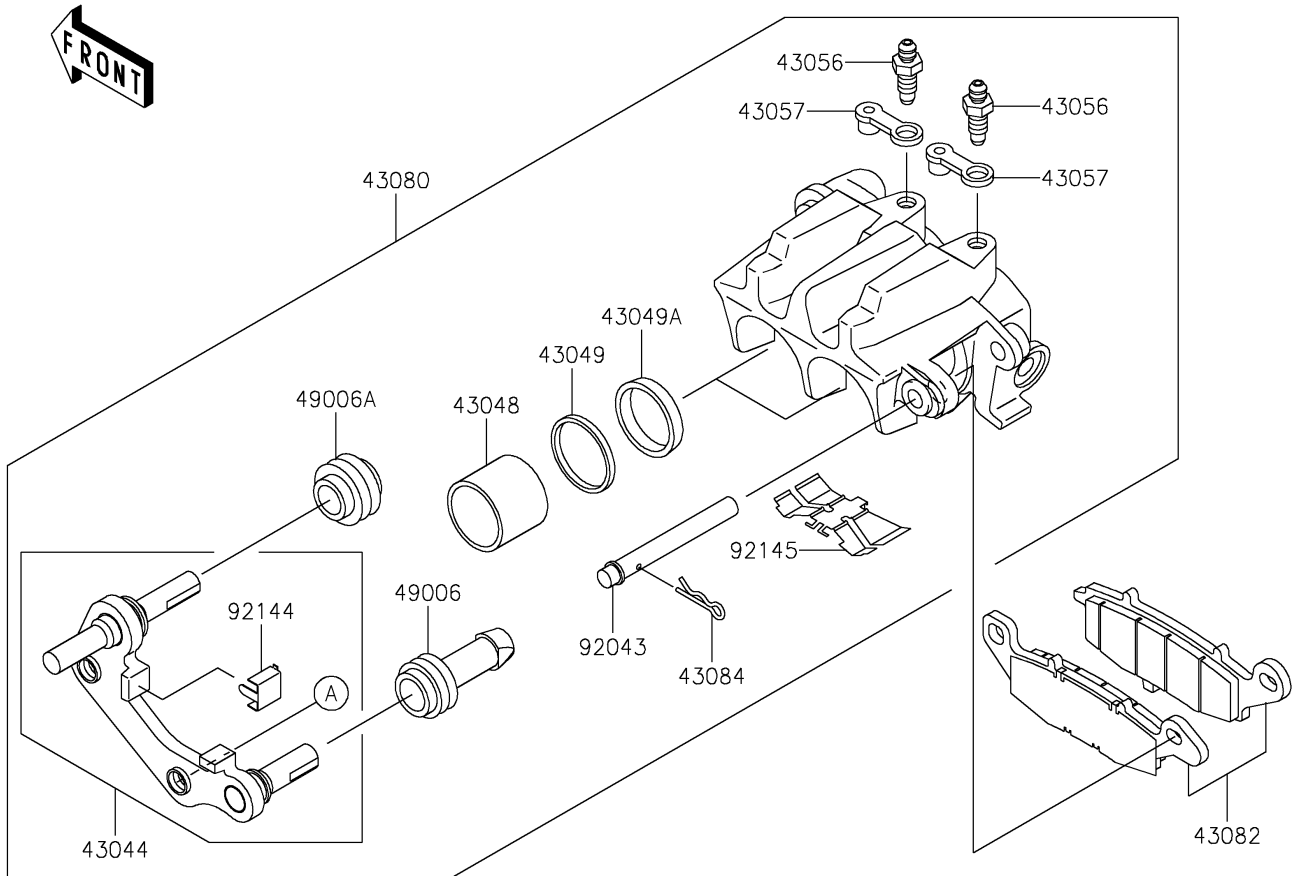


2018 VULCAN® 900 CLASSIC LT

PARTS DIAGRAM

Rear Brake

F2294



2018 VULCAN® 900 CLASSIC LT

PARTS LIST

Rear Brake

ITEM NAME	PART NUMBER	QUANTITY
-----------	-------------	----------
