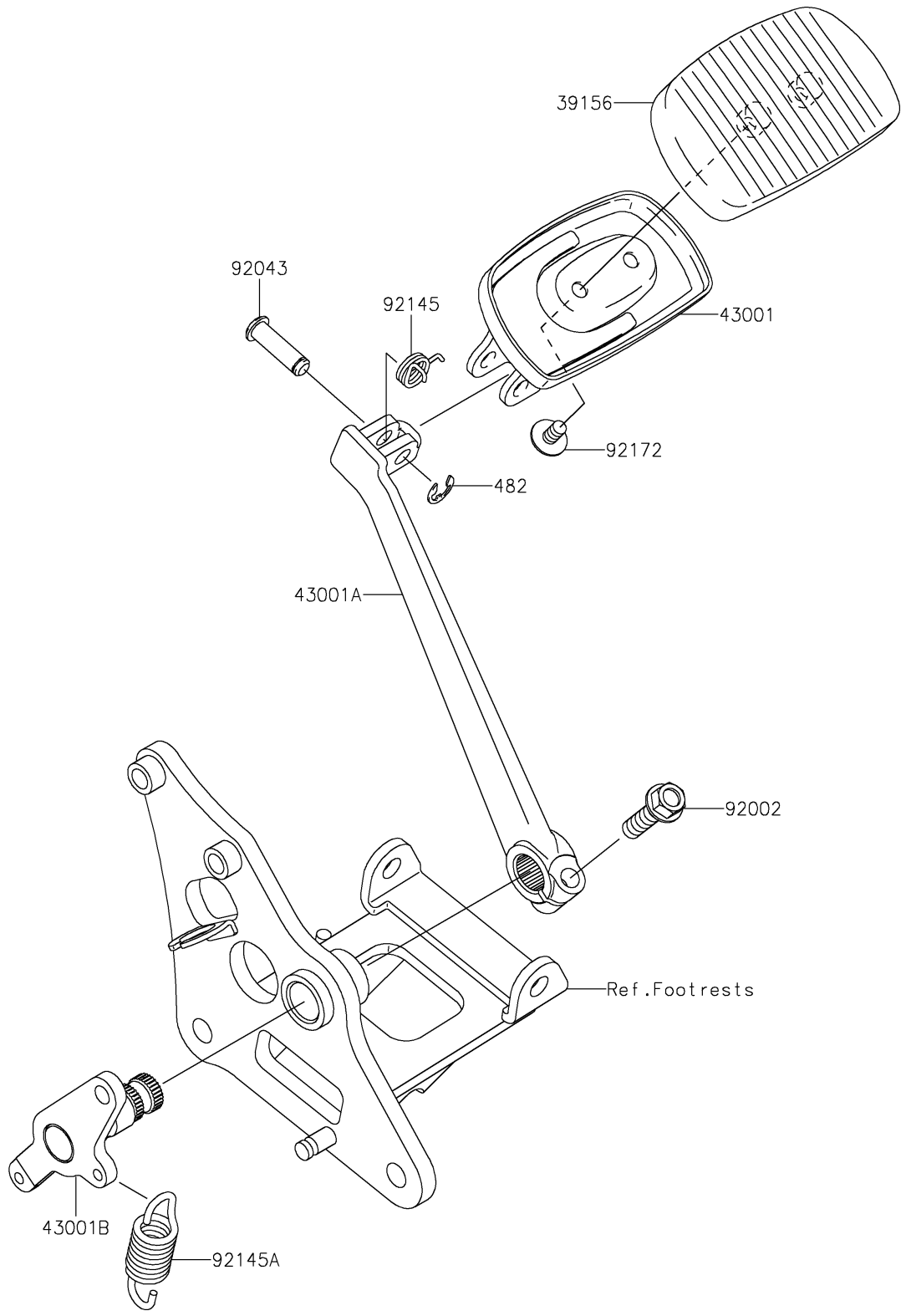


# 2018 VULCAN® 900 CLASSIC LT

## PARTS DIAGRAM

### Brake Pedal/Torque Link

F2260



# 2018 VULCAN® 900 CLASSIC LT

## PARTS LIST

### Brake Pedal/Torque Link

ITEM NAME	PART NUMBER	QUANTITY
-----------	-------------	----------

---