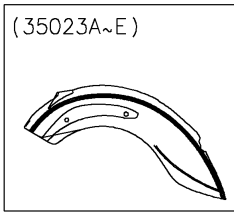
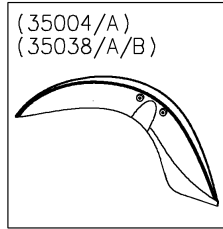


# 2019 VULCAN® 900 CLASSIC LT

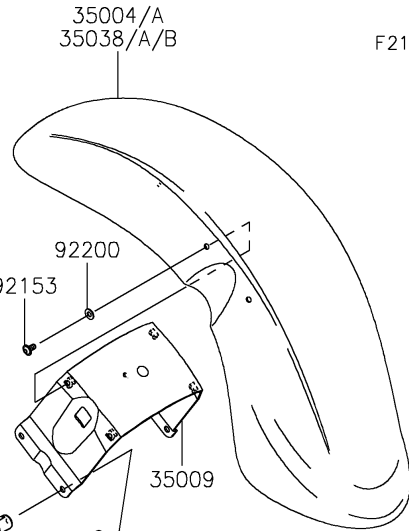
## PARTS DIAGRAM

### Fenders

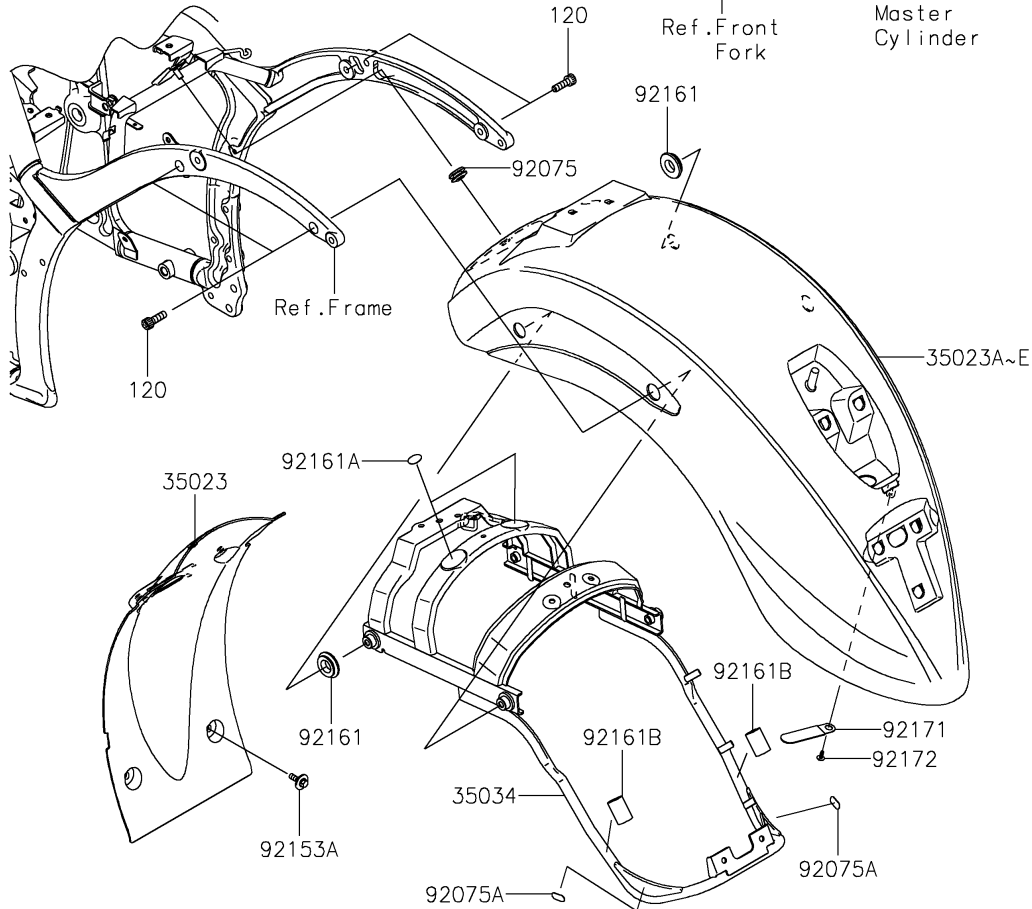


(35004)	Black/Silver
(35004A)	Gray/Black
(35038)	Graystone/Red
(35038A)	Blue/Gray
(35038B)	Gray/Silver

(35023A)	Black/Silver
(35023B)	Gray/Black
(35023C)	Graystone/Red
(35023D)	Blue/Gray
(35023E)	Gray/Silver



F2170



# 2019 VULCAN® 900 CLASSIC LT

## PARTS LIST

### Fenders

**ITEM NAME**

**PART NUMBER**

**QUANTITY**

---