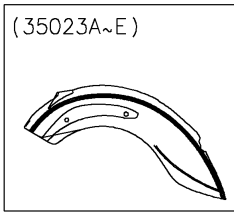
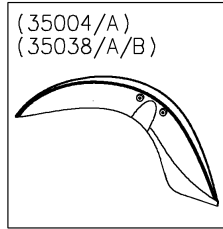


2018 VULCAN® 900 CLASSIC LT

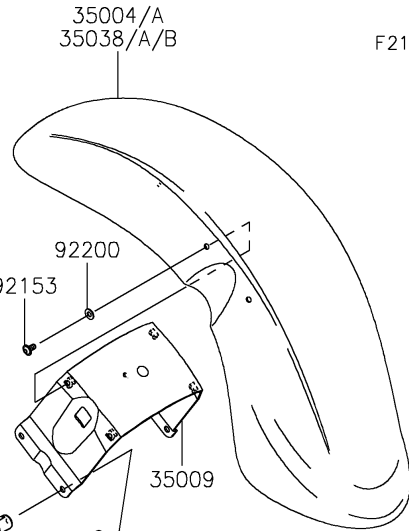
PARTS DIAGRAM

Fenders

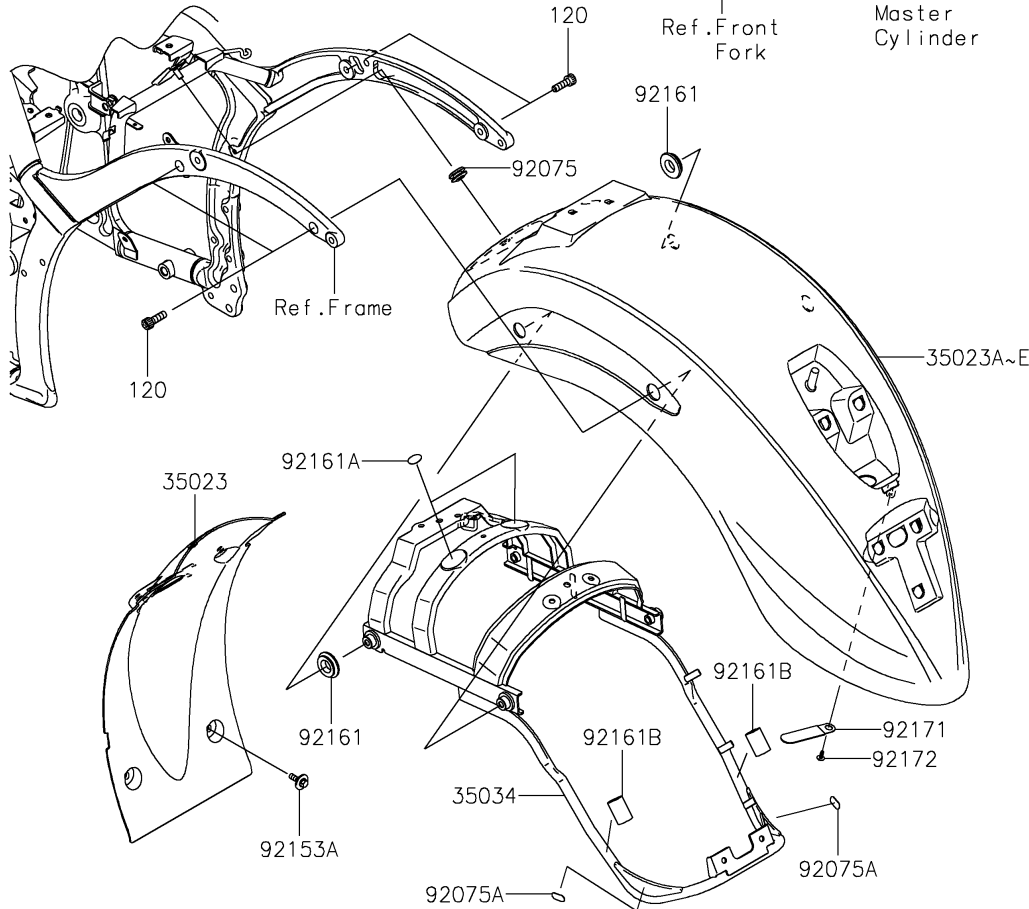
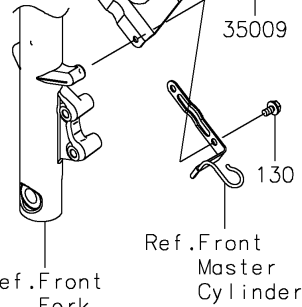


(35004)	Black/Silver
(35004A)	Gray/Black
(35038)	Graystone/Red
(35038A)	Blue/Gray
(35038B)	Gray/Silver

(35023A)	Black/Silver
(35023B)	Gray/Black
(35023C)	Graystone/Red
(35023D)	Blue/Gray
(35023E)	Gray/Silver



F2170



2018 VULCAN® 900 CLASSIC LT

PARTS LIST

Fenders

ITEM NAME	PART NUMBER	QUANTITY
-----------	-------------	----------
