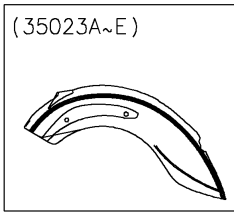
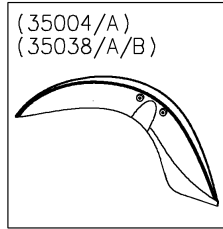


# 2016 Vulcan 900 Classic LT

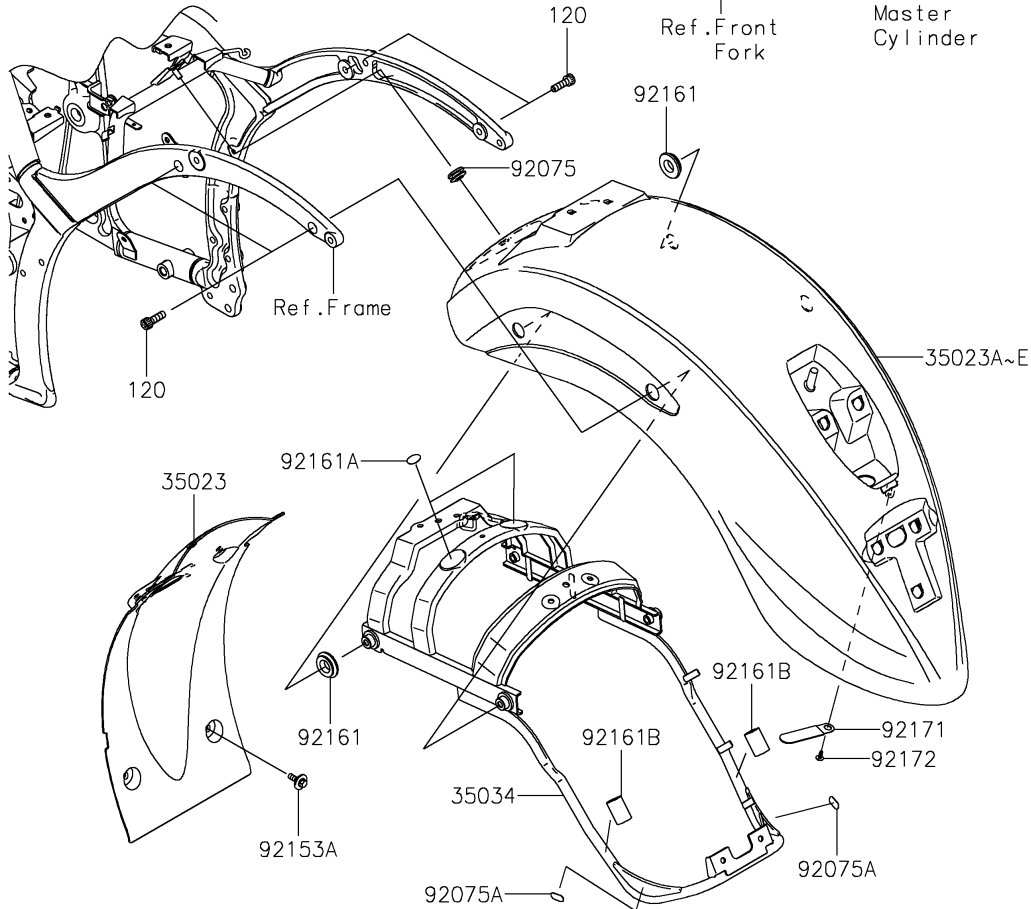
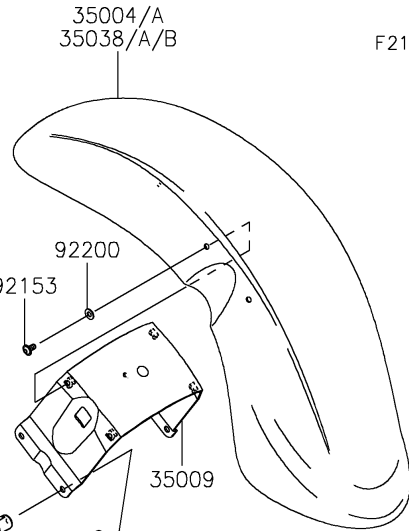
## PARTS DIAGRAM

### Fenders



|          |               |
|----------|---------------|
| (35004)  | Black/Silver  |
| (35004A) | Gray/Black    |
| (35038)  | Graystone/Red |
| (35038A) | Blue/Gray     |
| (35038B) | Gray/Silver   |

|          |               |
|----------|---------------|
| (35023A) | Black/Silver  |
| (35023B) | Gray/Black    |
| (35023C) | Graystone/Red |
| (35023D) | Blue/Gray     |
| (35023E) | Gray/Silver   |



# 2016 Vulcan 900 Classic LT

## PARTS LIST

### Fenders

**ITEM NAME**

**PART NUMBER**

**QUANTITY**

---