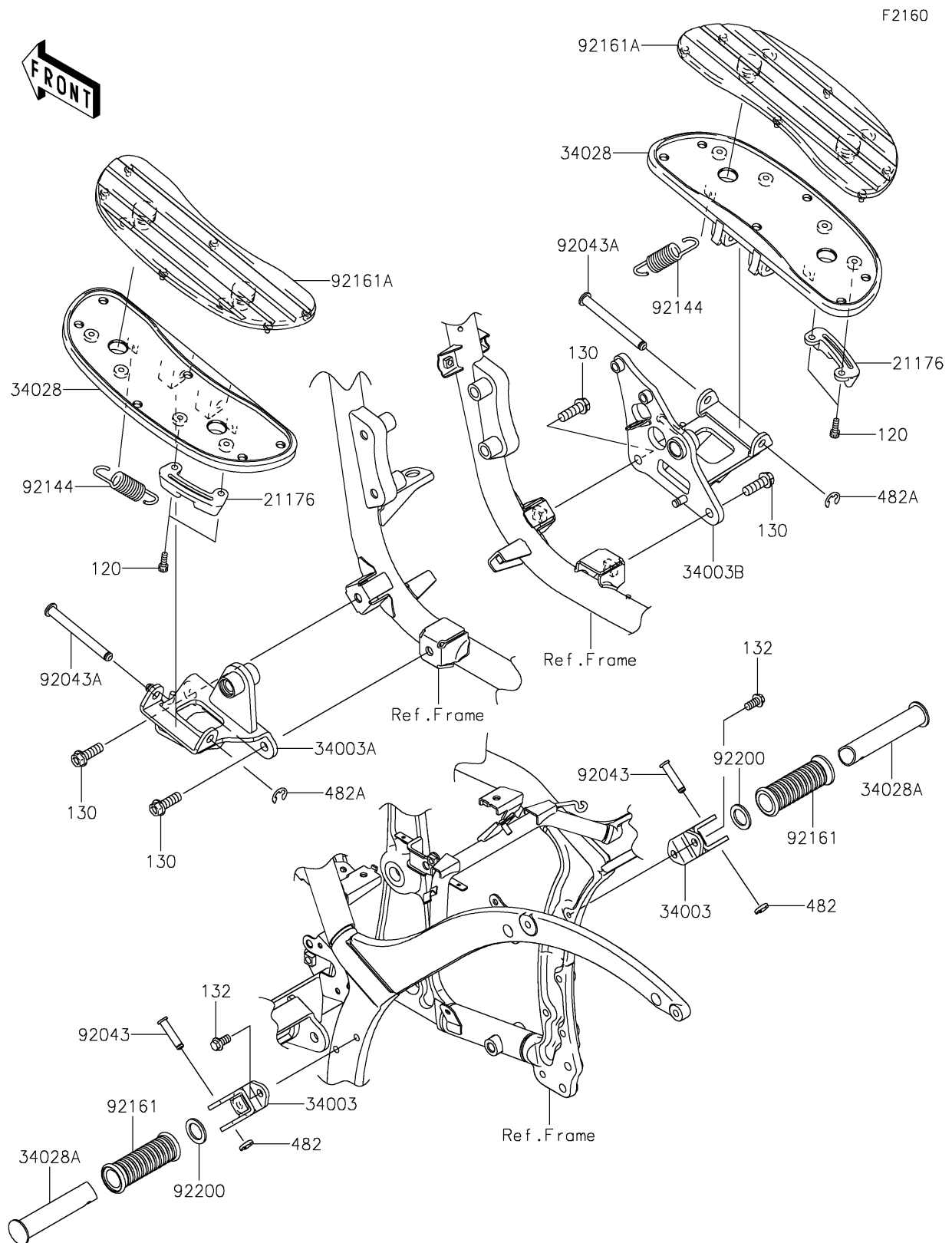


# 2018 VULCAN® 900 CLASSIC LT

## PARTS DIAGRAM

### Footrests



# 2018 VULCAN® 900 CLASSIC LT

## PARTS LIST

### Footrests

ITEM NAME	PART NUMBER	QUANTITY
-----------	-------------	----------

---