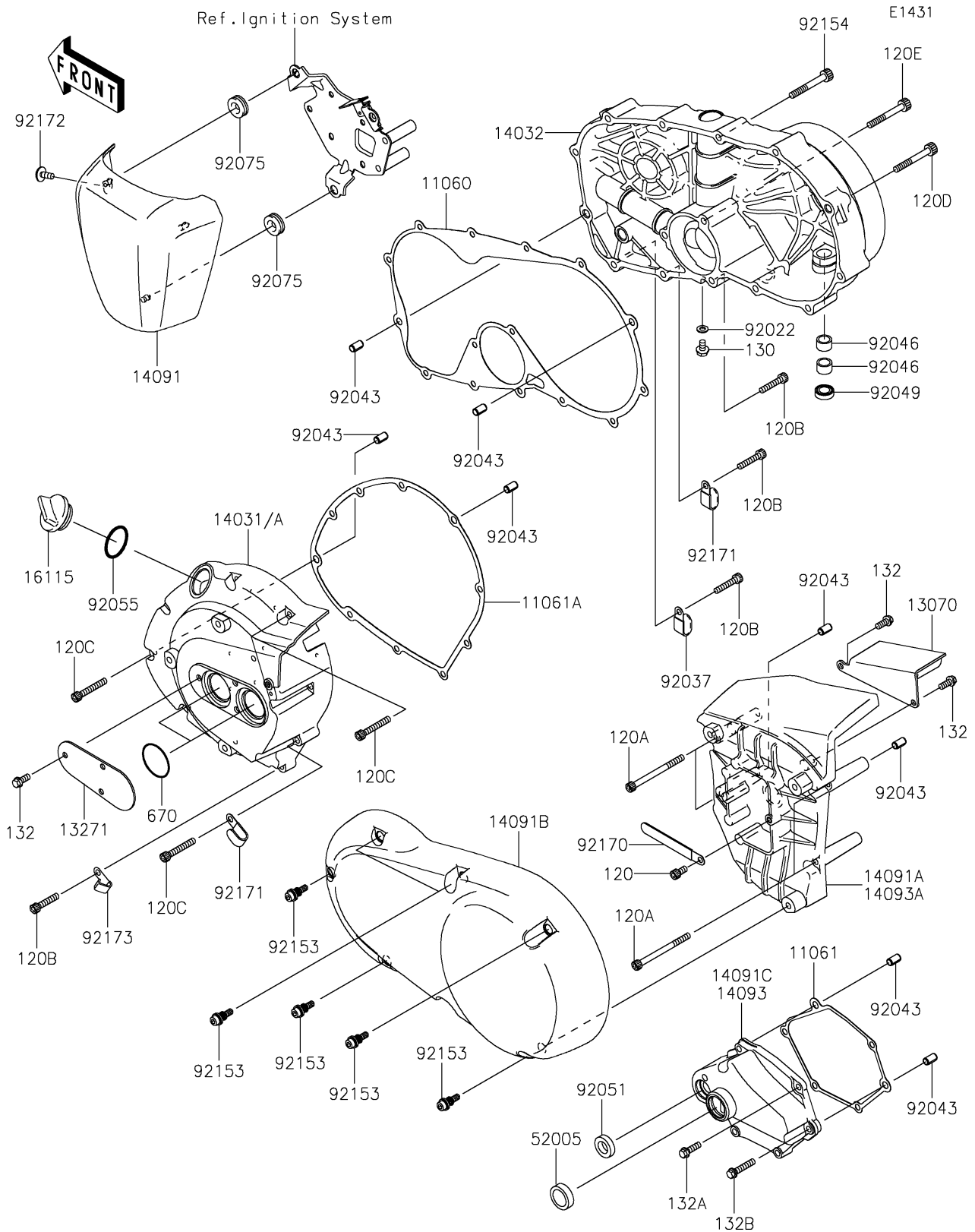


2019 VULCAN® 900 CLASSIC LT

PARTS DIAGRAM

Engine Cover(s)



2019 VULCAN® 900 CLASSIC LT

PARTS LIST

Engine Cover(s)

ITEM NAME	PART NUMBER	QUANTITY
-----------	-------------	----------
