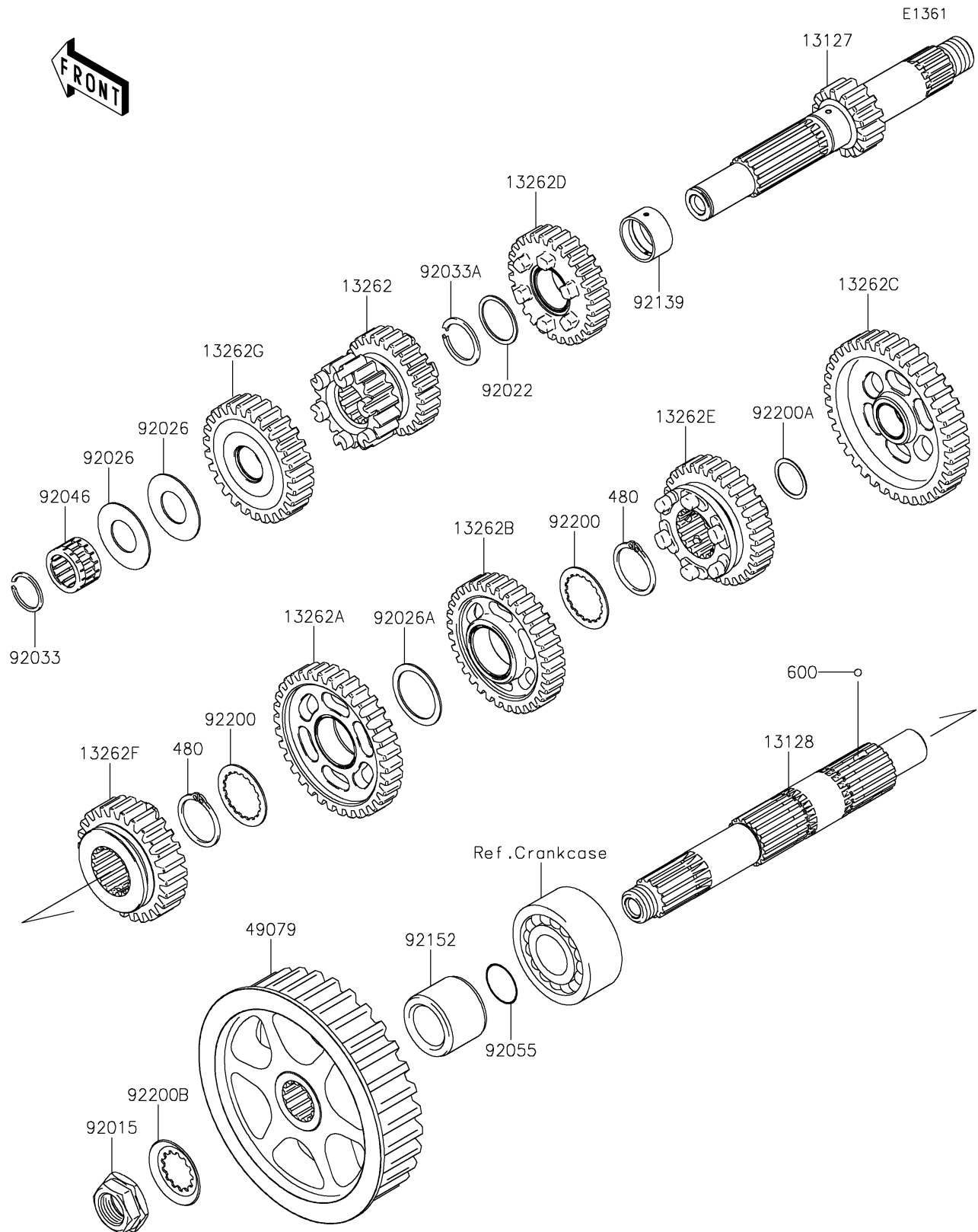


# 2019 VULCAN® 900 CLASSIC LT

## PARTS DIAGRAM

### Transmission



# 2019 VULCAN® 900 CLASSIC LT

## PARTS LIST

### Transmission



**ITEM NAME**

**PART NUMBER**

**QUANTITY**

---