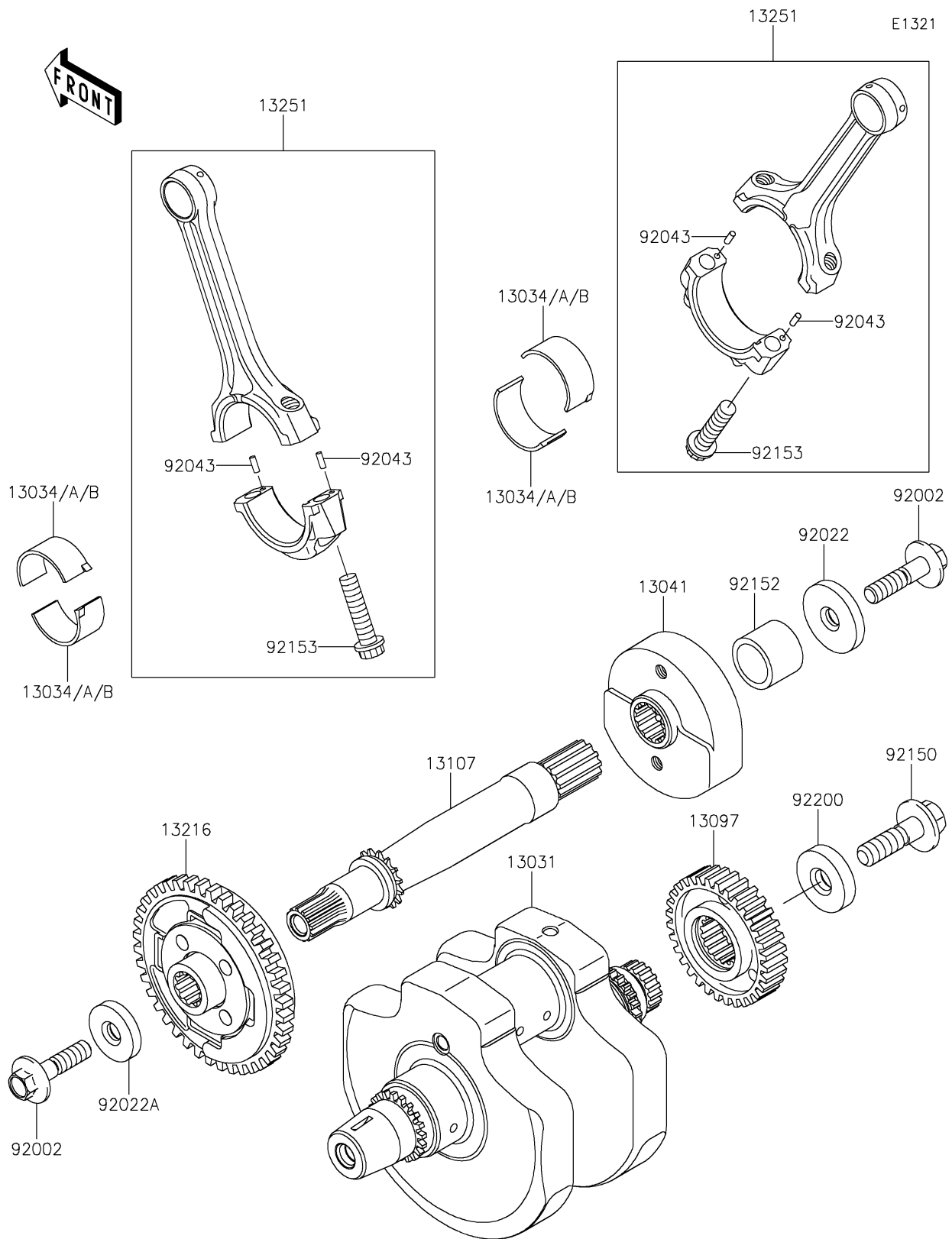


# 2019 VULCAN® 900 CLASSIC LT

## PARTS DIAGRAM

### Crankshaft



# 2019 VULCAN® 900 CLASSIC LT

## PARTS LIST

### Crankshaft

ITEM NAME	PART NUMBER	QUANTITY
-----------	-------------	----------

---