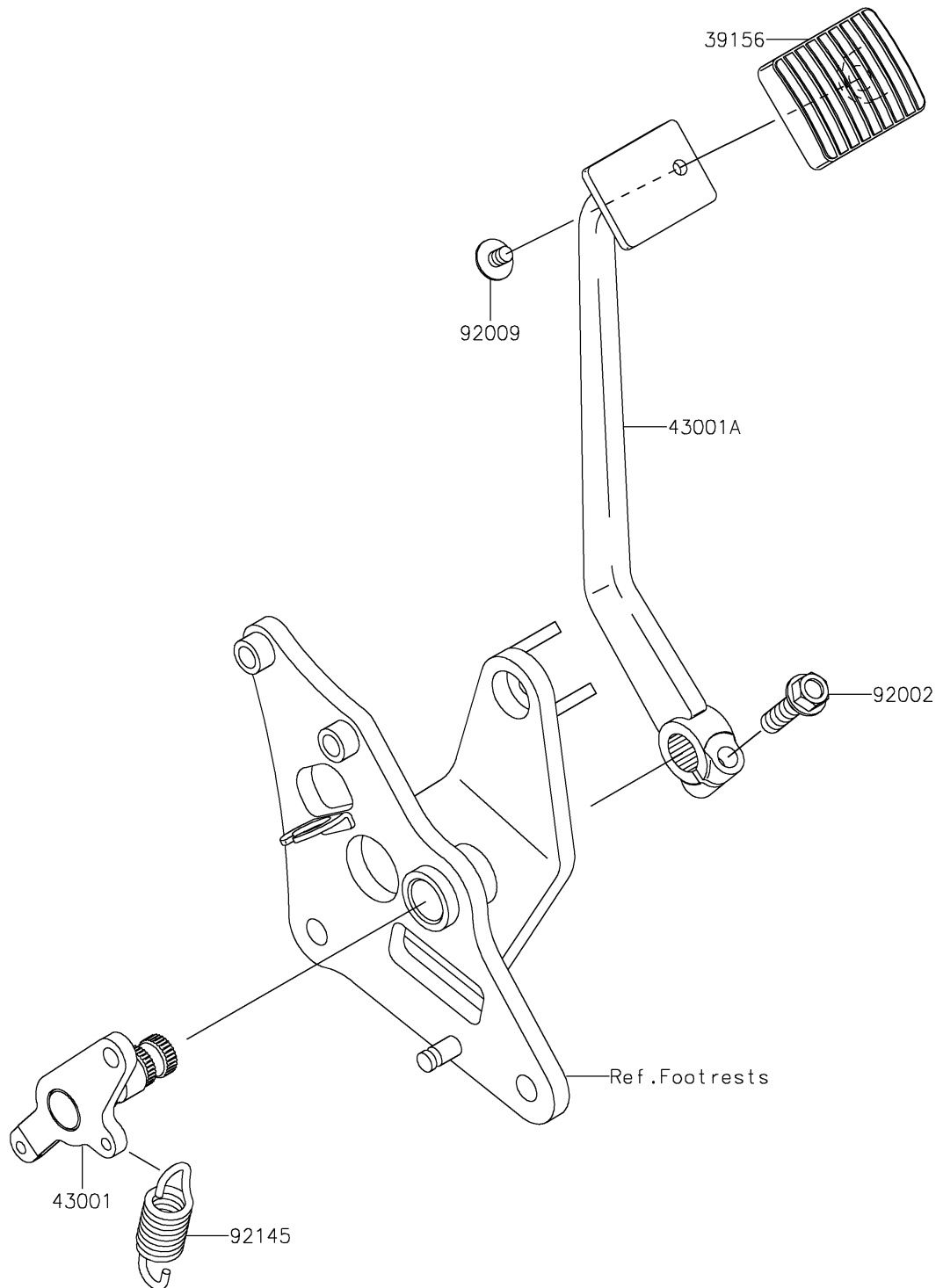


# 2019 VULCAN® 900 CUSTOM

## PARTS DIAGRAM

### Brake Pedal/Torque Link

F2260



# 2019 VULCAN® 900 CUSTOM

## PARTS LIST

### Brake Pedal/Torque Link

ITEM NAME	PART NUMBER	QUANTITY
PAD (Ref # 39156)	39156-1641	1
LEVER-BRAKE (Ref # 43001)	43001-0057	1
LEVER-BRAKE,PEDAL (Ref # 43001A)	43001-0114	1
BOLT,FLANGED,8X25 (Ref # 92002)	92002-1201	1
SCREW,6X8 (Ref # 92009)	92009-1677	1
SPRING,BRAKE PEDAL RETURN (Ref # 92145)	92145-0191	1