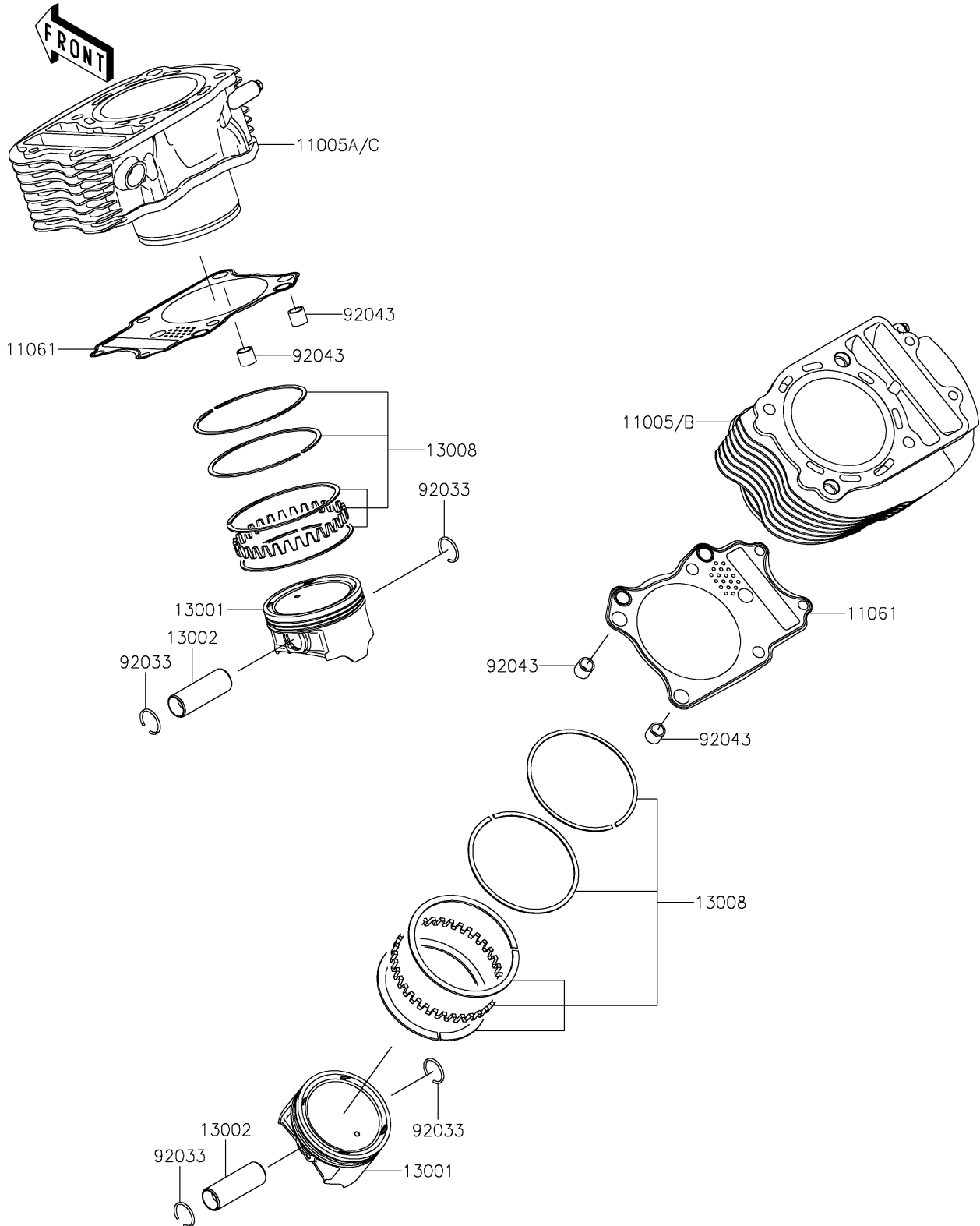


# 2020 VULCAN® 900 CUSTOM

## PARTS DIAGRAM

### Cylinder/Piston(s)

E1120



# 2020 VULCAN® 900 CUSTOM

## PARTS LIST

### Cylinder/Piston(s)

| ITEM NAME                          | PART NUMBER | QUANTITY |
|------------------------------------|-------------|----------|
| CYLINDER-ENGINE,RR (Ref # 11005B)  | 11005-0687  | 1        |
| CYLINDER-ENGINE,FR (Ref # 11005C)  | 11005-0689  | 1        |
| GASKET,CYLINDER BASE (Ref # 11061) | 11061-0284  | 2        |
| PISTON-ENGINE (Ref # 13001)        | 13001-0067  | 2        |
| PIN-PISTON (Ref # 13002)           | 13002-0011  | 2        |
| RING-SET-PISTON (Ref # 13008)      | 13008-0021  | 2        |
| RING-SNAP (Ref # 92033)            | 92033-1188  | 4        |
| PIN,11X14X12.3 (Ref # 92043)       | 92043-1266  | 4        |