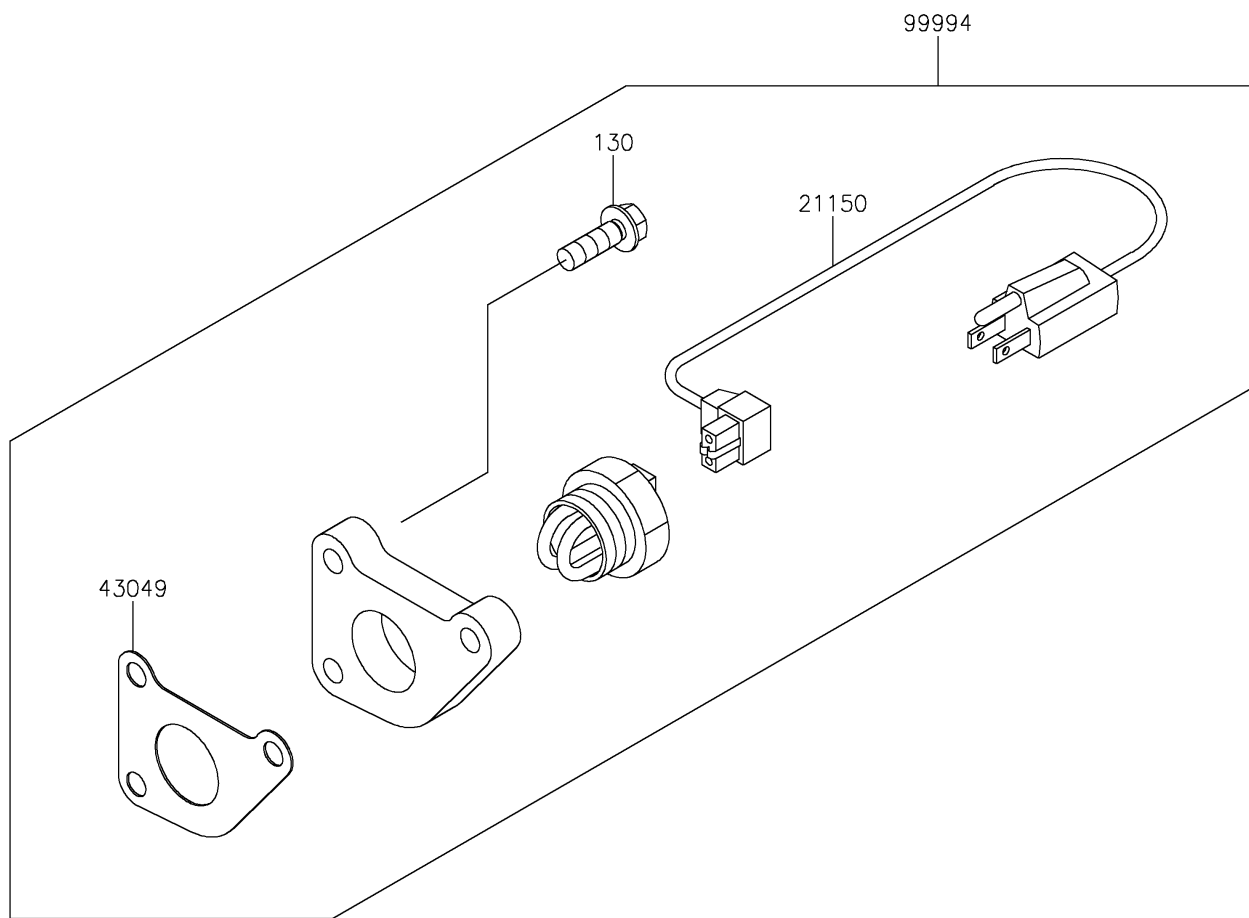


# 2021 MULE PRO-DX™ EPS DIESEL

## PARTS DIAGRAM

### Accessory

F2910



# 2021 MULE PRO-DX™ EPS DIESEL



## PARTS LIST

### Accessory

ITEM NAME	PART NUMBER	QUANTITY
-----------	-------------	----------

---