

# 2021 MULE PRO-DX™ EPS DIESEL

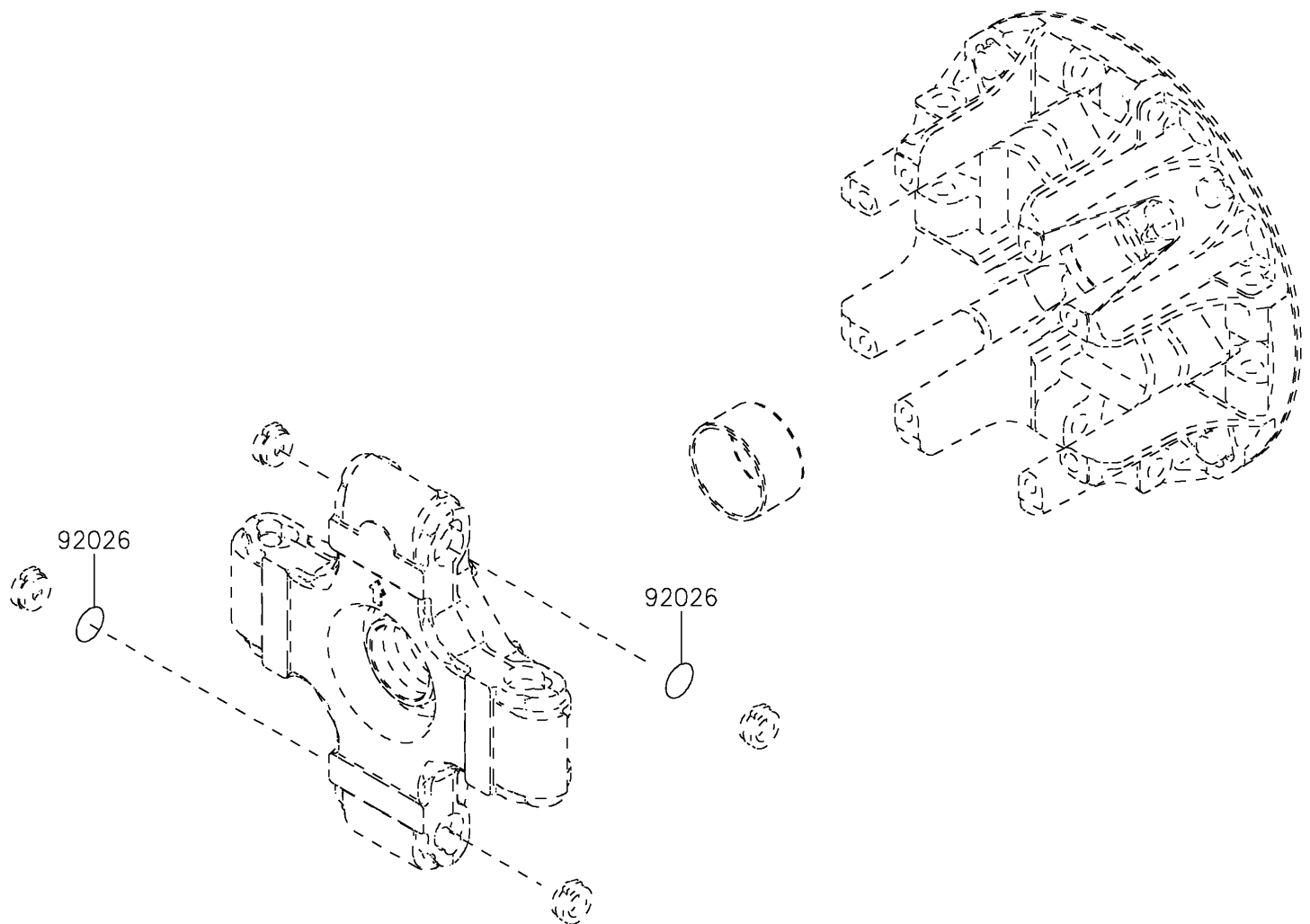
## PARTS DIAGRAM

### Optional Parts

F2890



(Ref. Drive Converter)



# 2021 MULE PRO-DX™ EPS DIESEL



## PARTS LIST

### Optional Parts

ITEM NAME	PART NUMBER	QUANTITY
-----------	-------------	----------

---