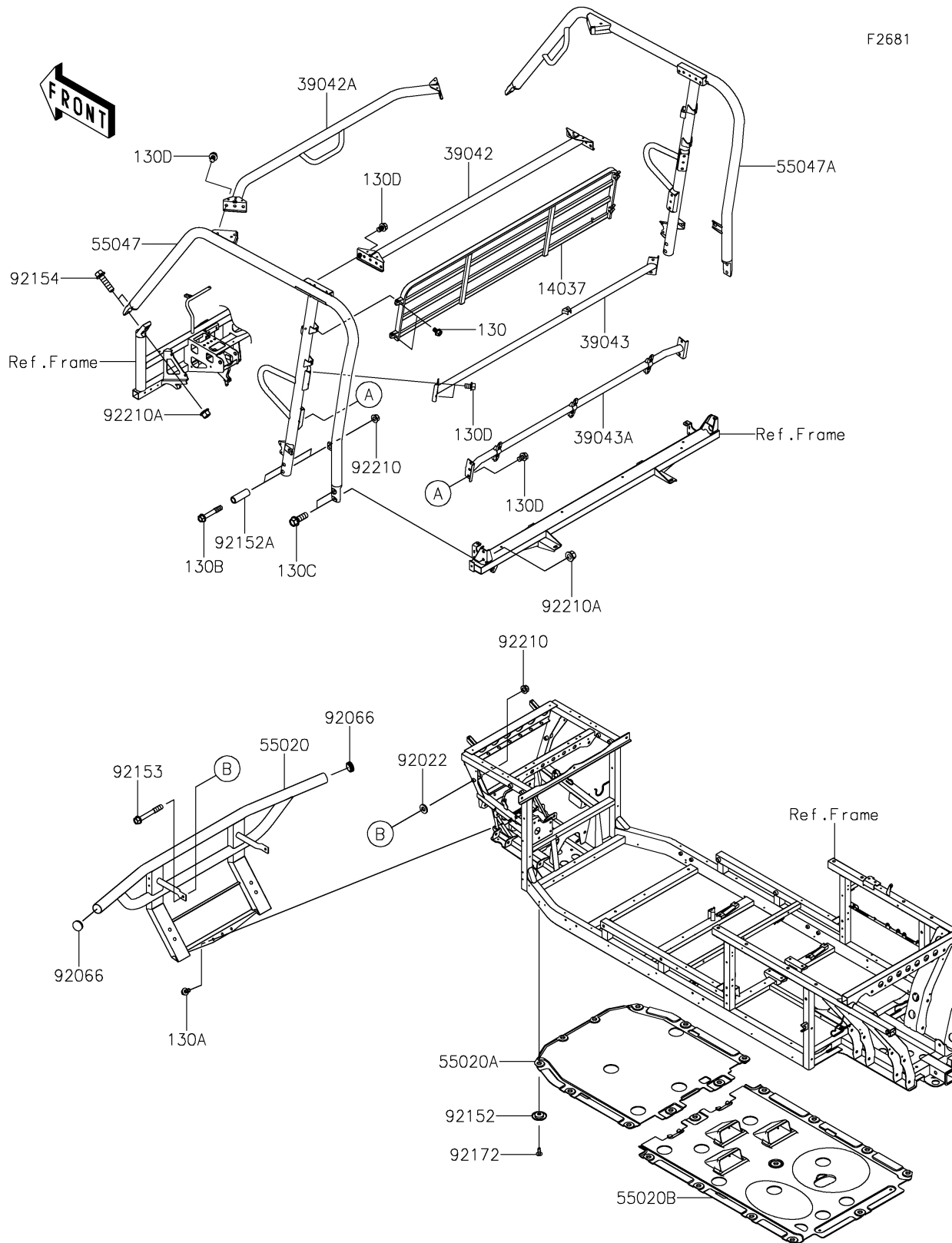


# 2021 MULE PRO-DX™ EPS DIESEL

## PARTS DIAGRAM

### Guards/Cab Frame



# 2021 MULE PRO-DX™ EPS DIESEL



## PARTS LIST

### Guards/Cab Frame

| ITEM NAME | PART NUMBER | QUANTITY |
|-----------|-------------|----------|
|-----------|-------------|----------|

---