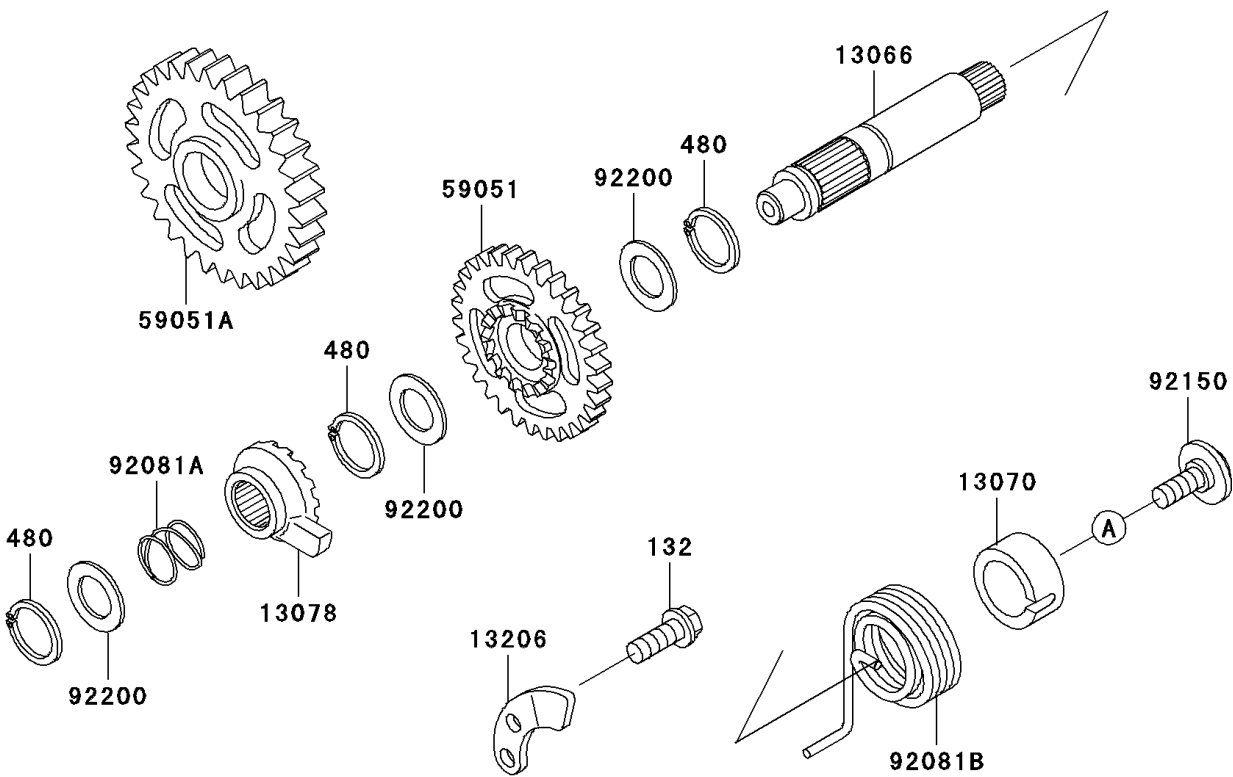
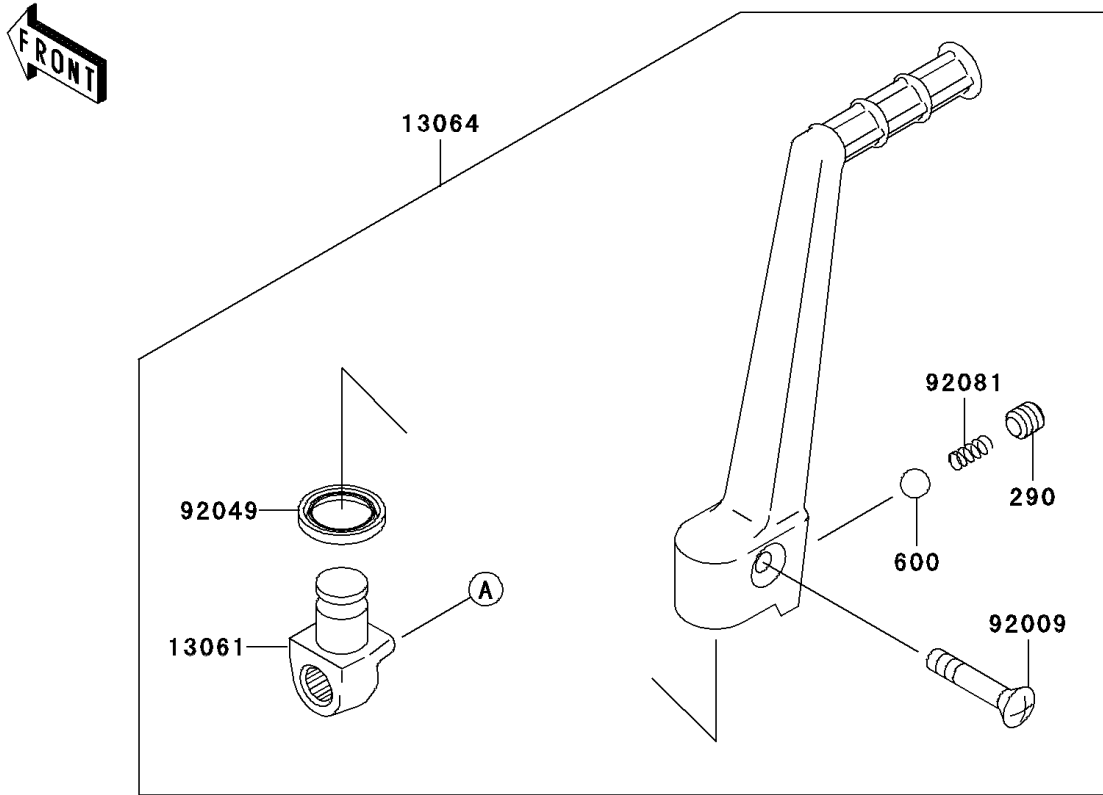


# 2004 KX125

## PARTS DIAGRAM

### Kickstarter Mechanism

E1340



# 2004 KX125

## PARTS LIST

### Kickstarter Mechanism

| ITEM NAME                         | PART NUMBER | QUANTITY |
|-----------------------------------|-------------|----------|
| BOLT-FLANGED-SMALL (Ref # 132)    | 132G0616    | 1        |
| SCREW-SET-SOCKET (Ref # 290)      | 290P0808    | 1        |
| CIRCLIP-TYPE-C,16MM (Ref # 480)   | 480J1600    | 3        |
| BALL-STEEL,1/4" (Ref # 600)       | 600A0800    | 1        |
| BOSS (Ref # 13061)                | 13061-1853  | 1        |
| LEVER-ASSY-KICK (Ref # 13064)     | 13064-0001  | 1        |
| SHAFT-KICK (Ref # 13066)          | 13066-1101  | 1        |
| GUIDE,KICK SPRING (Ref # 13070)   | 13070-1007  | 1        |
| RATCHET (Ref # 13078)             | 13078-1052  | 1        |
| GUIDE-KICK (Ref # 13206)          | 13206-1061  | 1        |
| GEAR-SPUR,KICK 30T (Ref # 59051)  | 59051-1405  | 1        |
| GEAR-SPUR,IDLE 31T (Ref # 59051A) | 59051-1406  | 1        |
| SCREW,6X27 (Ref # 92009)          | 92009-1607  | 1        |
| SEAL-OIL,KICK PEDAL (Ref # 92049) | 92049-1387  | 1        |
| SPRING,KICK PEDAL (Ref # 92081)   | 92081-020   | 1        |
| SPRING,RATCHET (Ref # 92081A)     | 92081-122   | 1        |
| SPRING,KICKSTARTER (Ref # 92081B) | 92081-1768  | 1        |
| BOLT,SOCKET,6X16 (Ref # 92150)    | 92150-1673  | 1        |
| WASHER,KICKSHAFT (Ref # 92200)    | 92200-1209  | 3        |