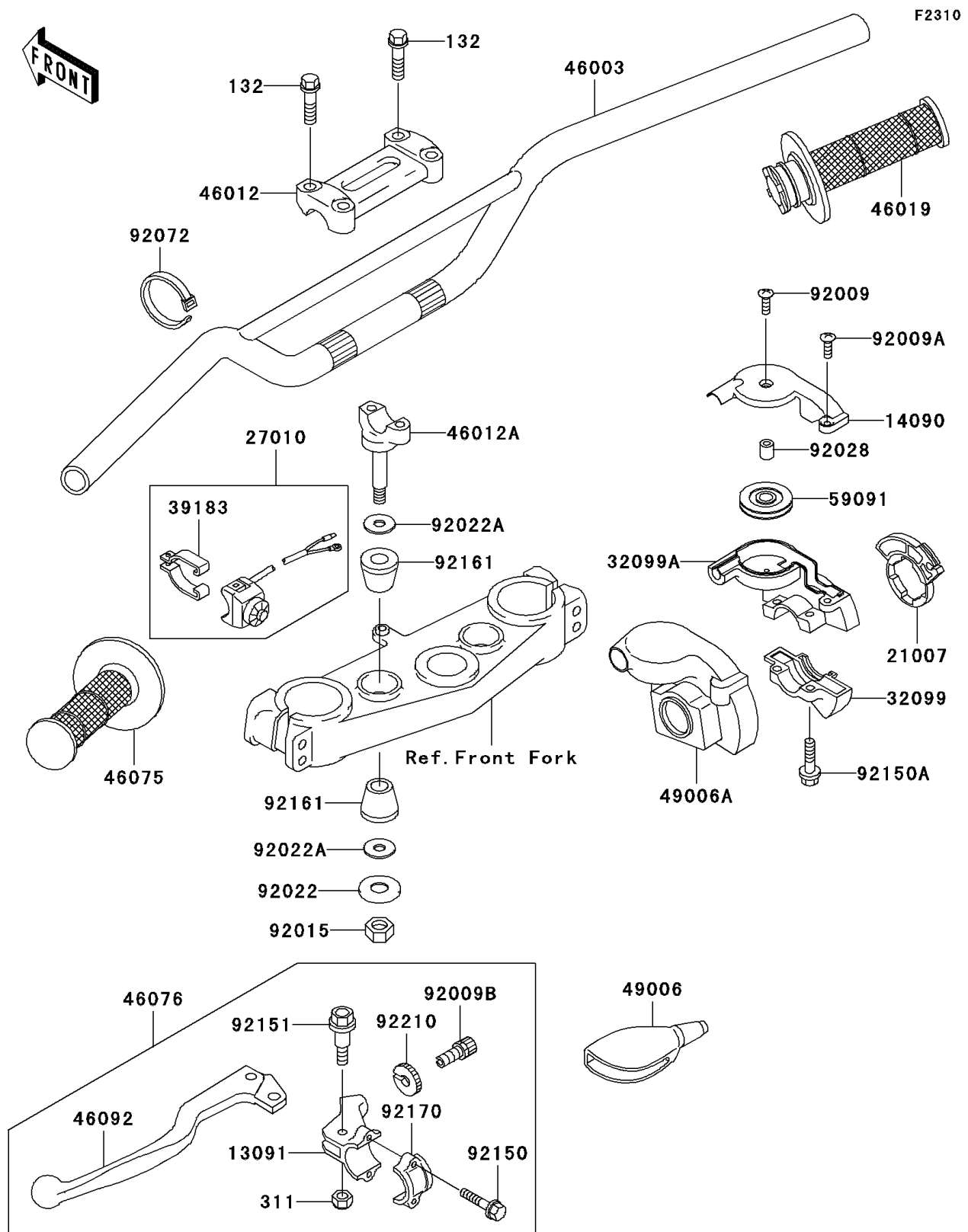


# 2003 KX125

## PARTS DIAGRAM

### Handlebar



# 2003 KX125

## PARTS LIST

### Handlebar

**ITEM NAME**

**PART NUMBER**

**QUANTITY**

---