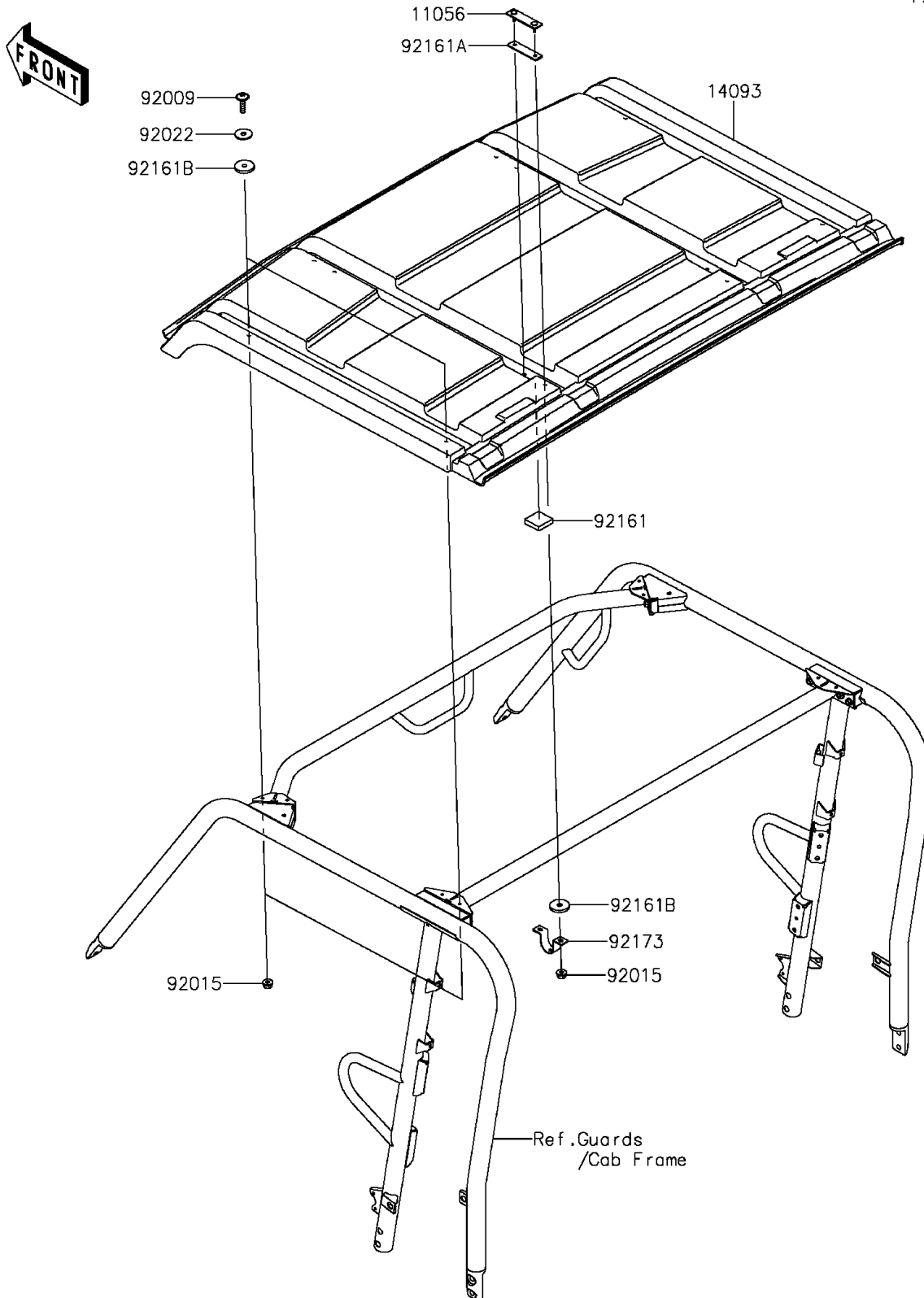


2016 MULE PRO-FX™ EPS LE

PARTS DIAGRAM

Sun Top

F2876



2016 MULE PRO-FX™ EPS LE

PARTS LIST

Sun Top

ITEM NAME	PART NUMBER	QUANTITY
BRACKET (Ref # 11056)	11056-1523	4
COVER,SUN TOP,FR (Ref # 14093)	14093-0245	1
SCREW,6X22,BLACK (Ref # 92009)	92009-1256	4
NUT,LOCK,FLANGED,6MM (Ref # 92015)	92015-1603	12
WASHER,6.5X22X1.6 (Ref # 92022)	92022-237	4
DAMPER,25.4X25.4X6.3 (Ref # 92161)	92161-1405	4
DAMPER (Ref # 92161A)	92161-1476	4
DAMPER,6X25X3.15 (Ref # 92161B)	92161-1633	12
CLAMP,U (Ref # 92173)	92173-1224	4