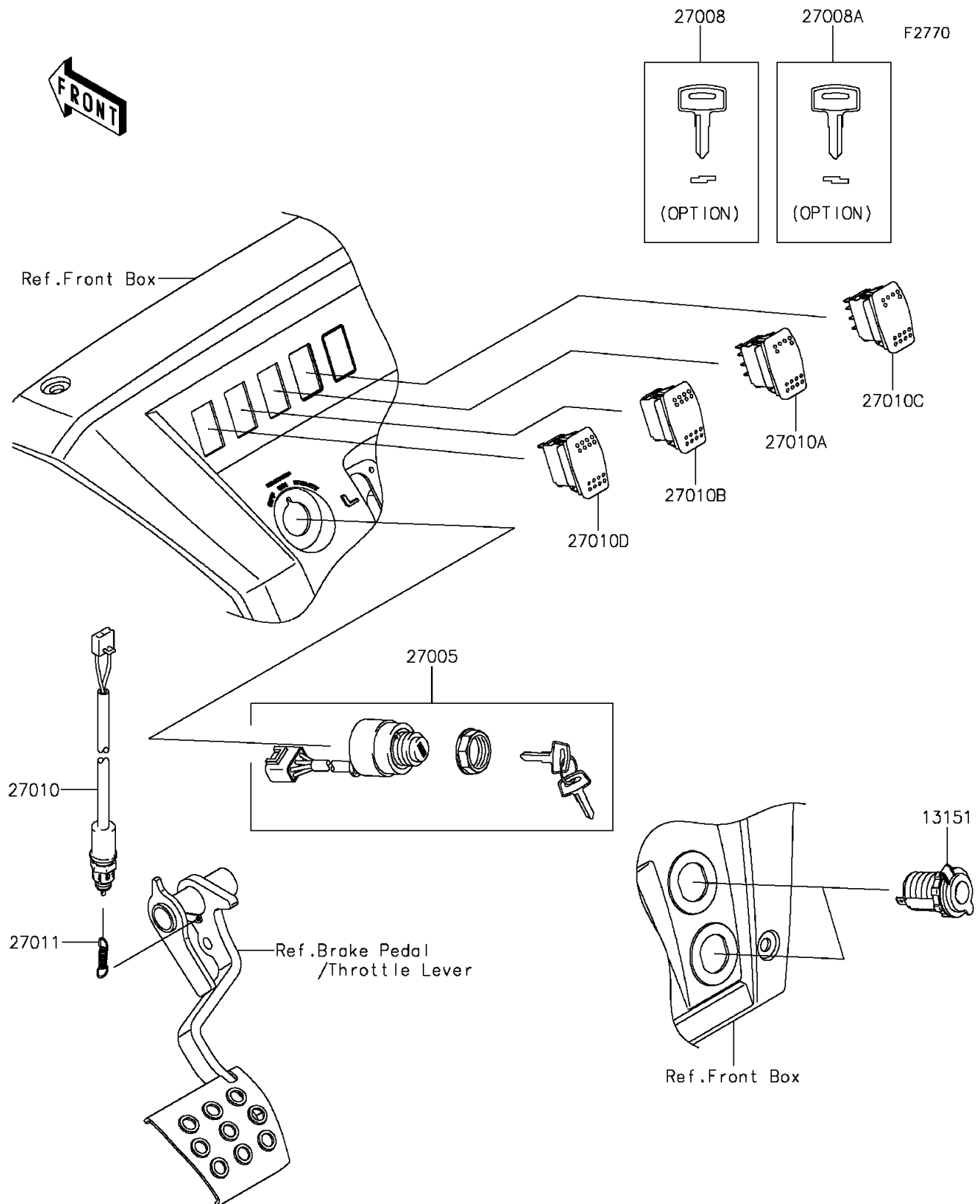


2016 MULE PRO-FX™ EPS LE

PARTS DIAGRAM

Ignition Switch



2016 MULE PRO-FX™ EPS LE

PARTS LIST

Ignition Switch

ITEM NAME	PART NUMBER	QUANTITY
-----------	-------------	----------
