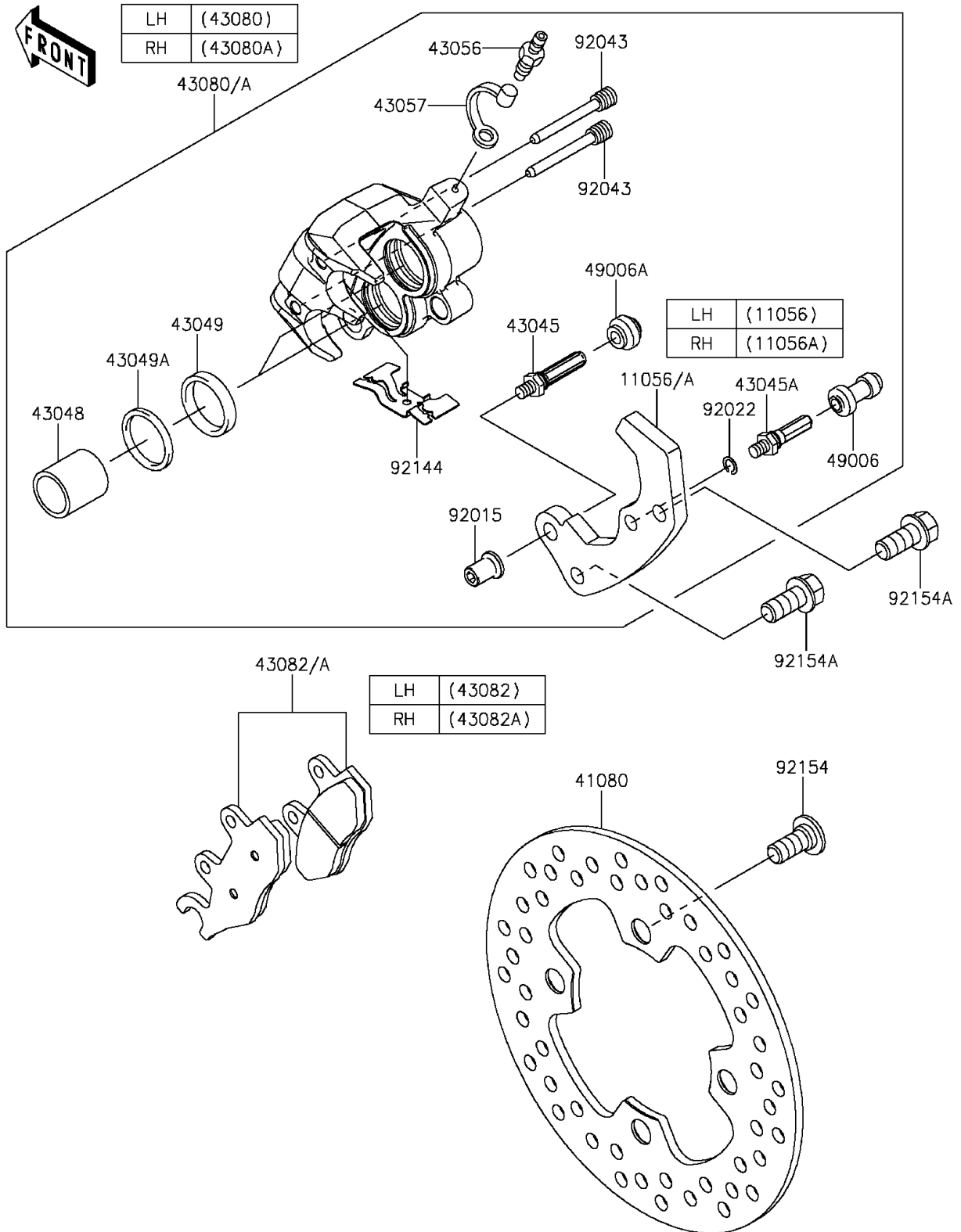


# 2016 MULE PRO-FX™ EPS LE

## PARTS DIAGRAM

### Front Brake

F2292



# 2016 MULE PRO-FX™ EPS LE

## PARTS LIST

### Front Brake

**ITEM NAME**

**PART NUMBER**

**QUANTITY**

---