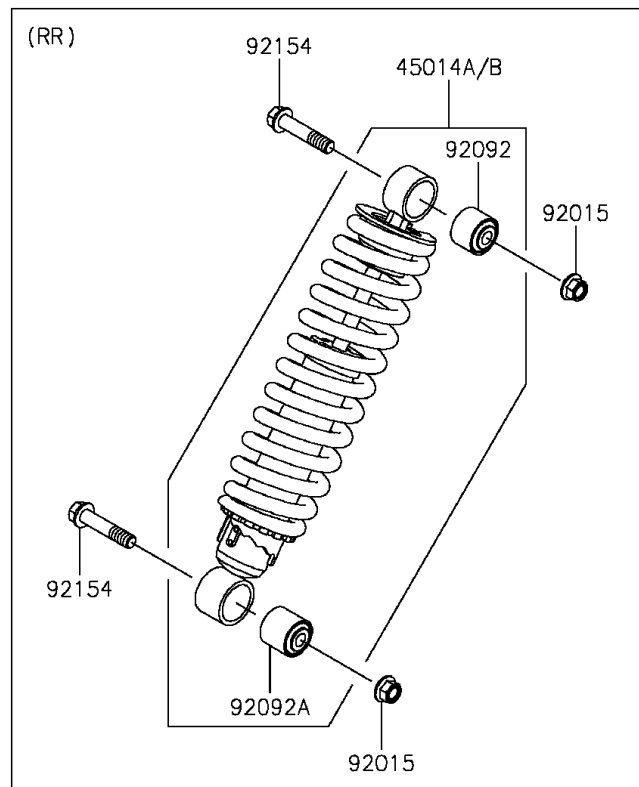
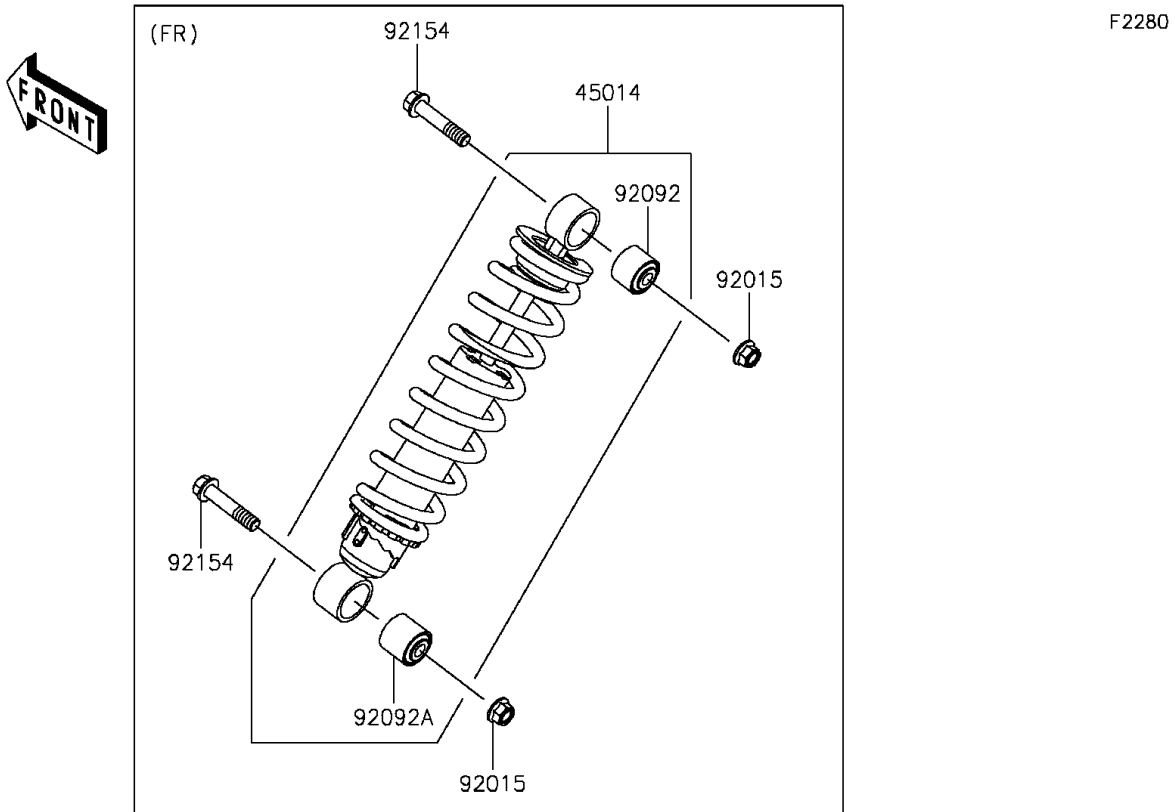


2016 MULE PRO-FX™ EPS LE

PARTS DIAGRAM

Shock Absorber(s)



2016 MULE PRO-FX™ EPS LE

PARTS LIST

Shock Absorber(s)

ITEM NAME	PART NUMBER	QUANTITY
-----------	-------------	----------
