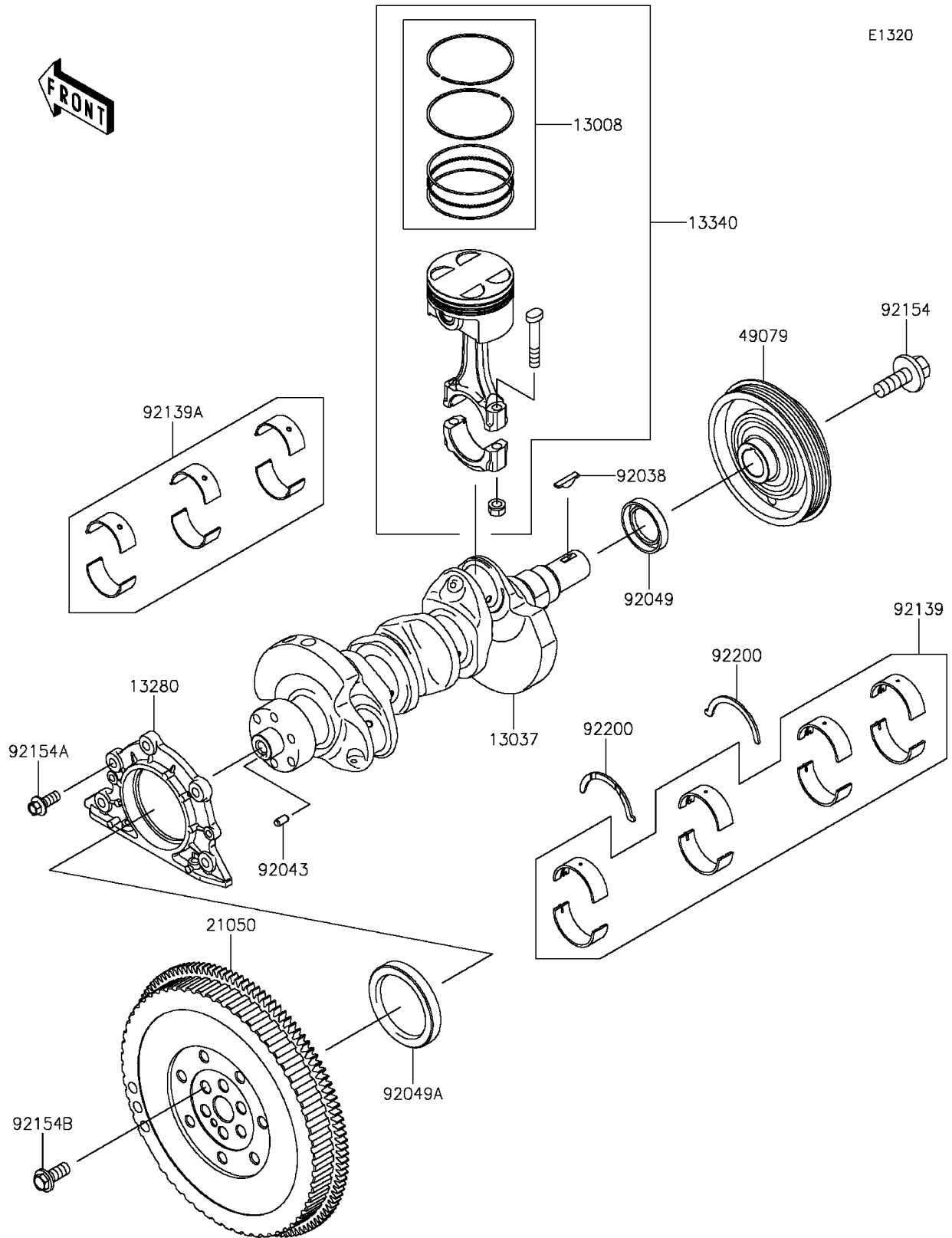


# 2016 MULE PRO-FX™ EPS LE

## PARTS DIAGRAM

### Crankshaft/Piston(s)



# 2016 MULE PRO-FX™ EPS LE

## PARTS LIST

### Crankshaft/Piston(s)

ITEM NAME	PART NUMBER	QUANTITY
-----------	-------------	----------

---