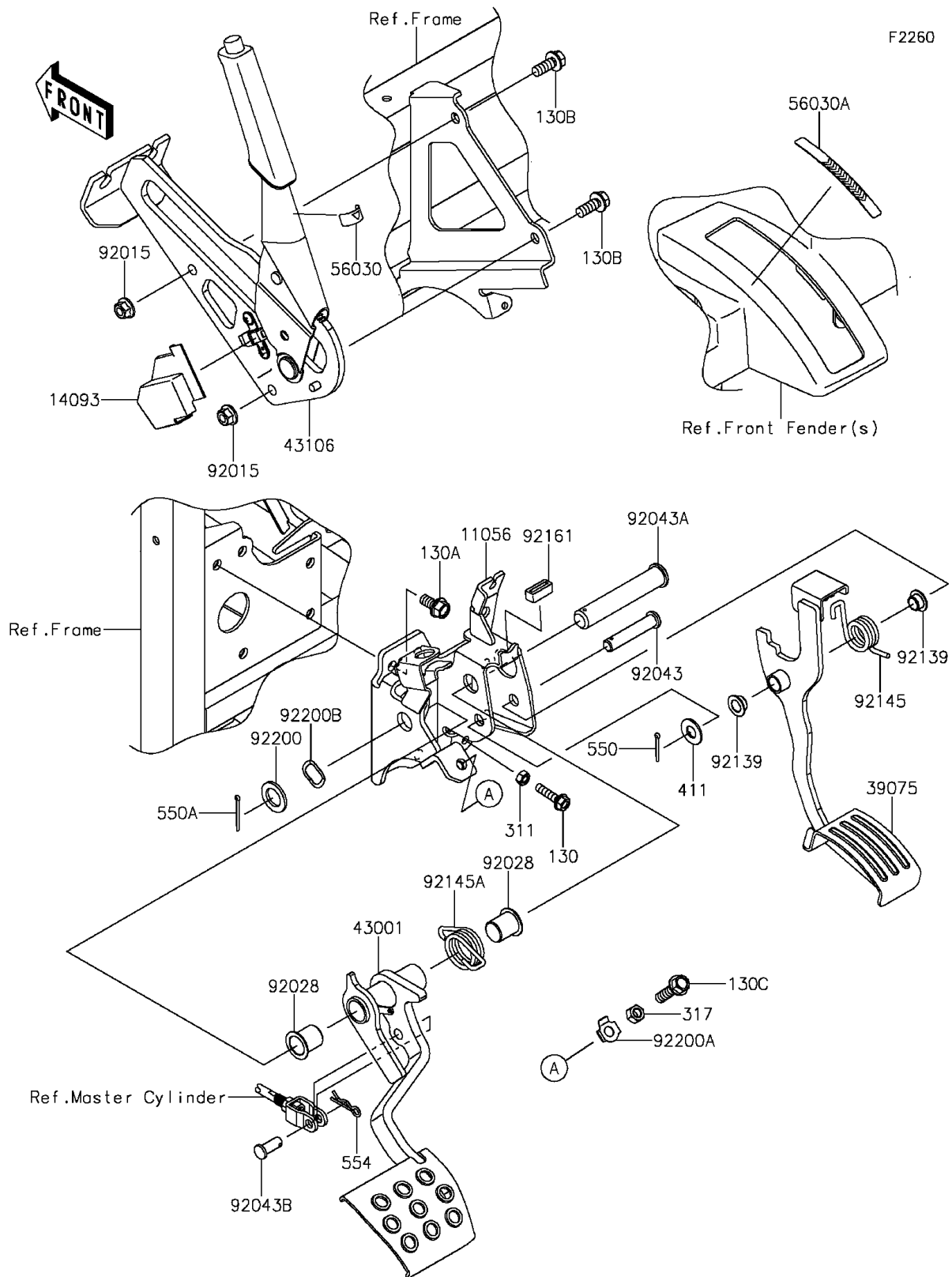


2016 MULE PRO-FX™

PARTS DIAGRAM

Brake Pedal/Throttle Lever



2016 MULE PRO-FX™

PARTS LIST

Brake Pedal/Throttle Lever

ITEM NAME

PART NUMBER

QUANTITY
