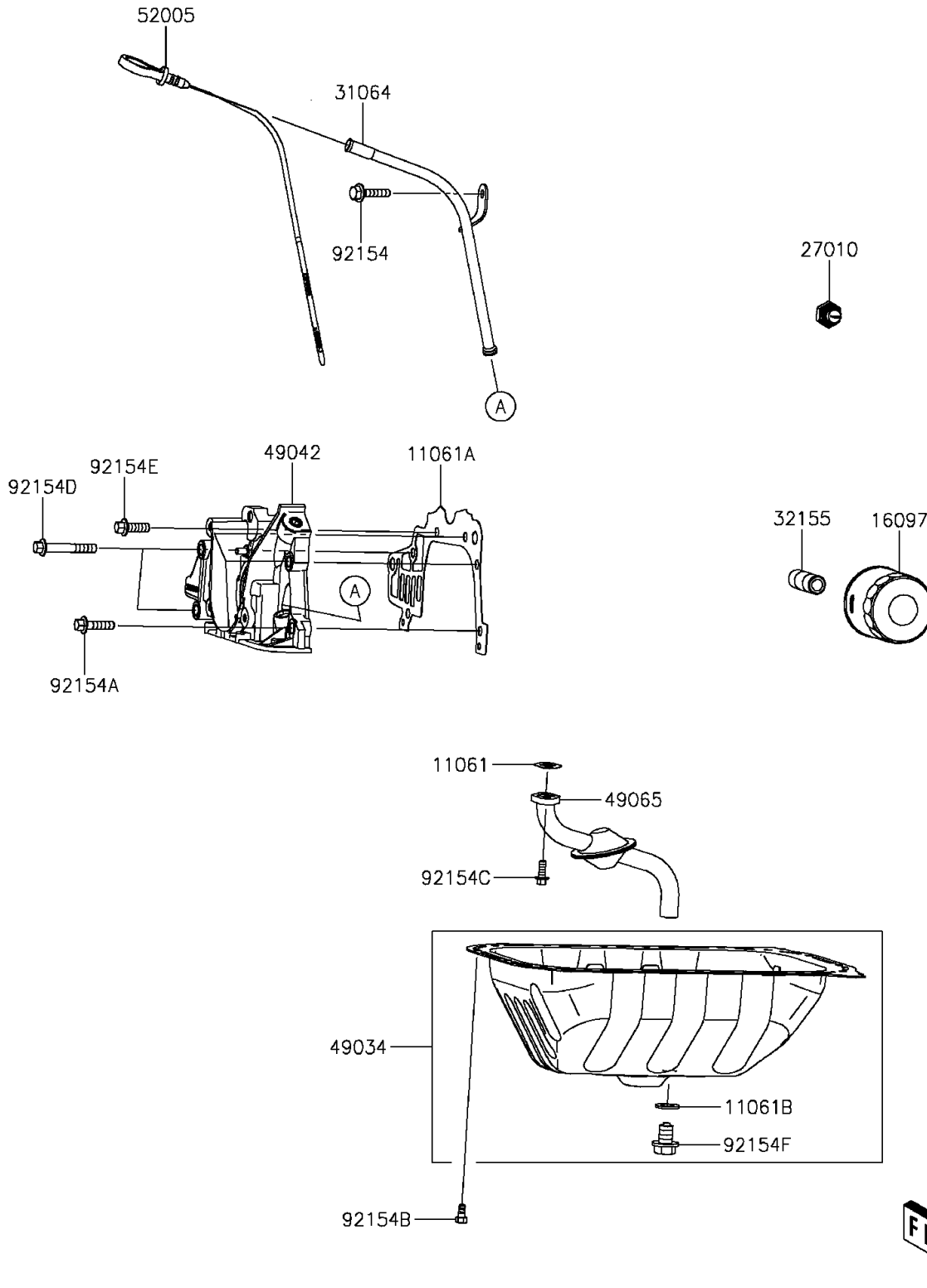


# 2016 MULE PRO-FX™

## PARTS DIAGRAM

### Oil Pump/Oil Filter

E1710



# 2016 MULE PRO-FX™

## PARTS LIST

### Oil Pump/Oil Filter

**ITEM NAME**

**PART NUMBER**

**QUANTITY**

---