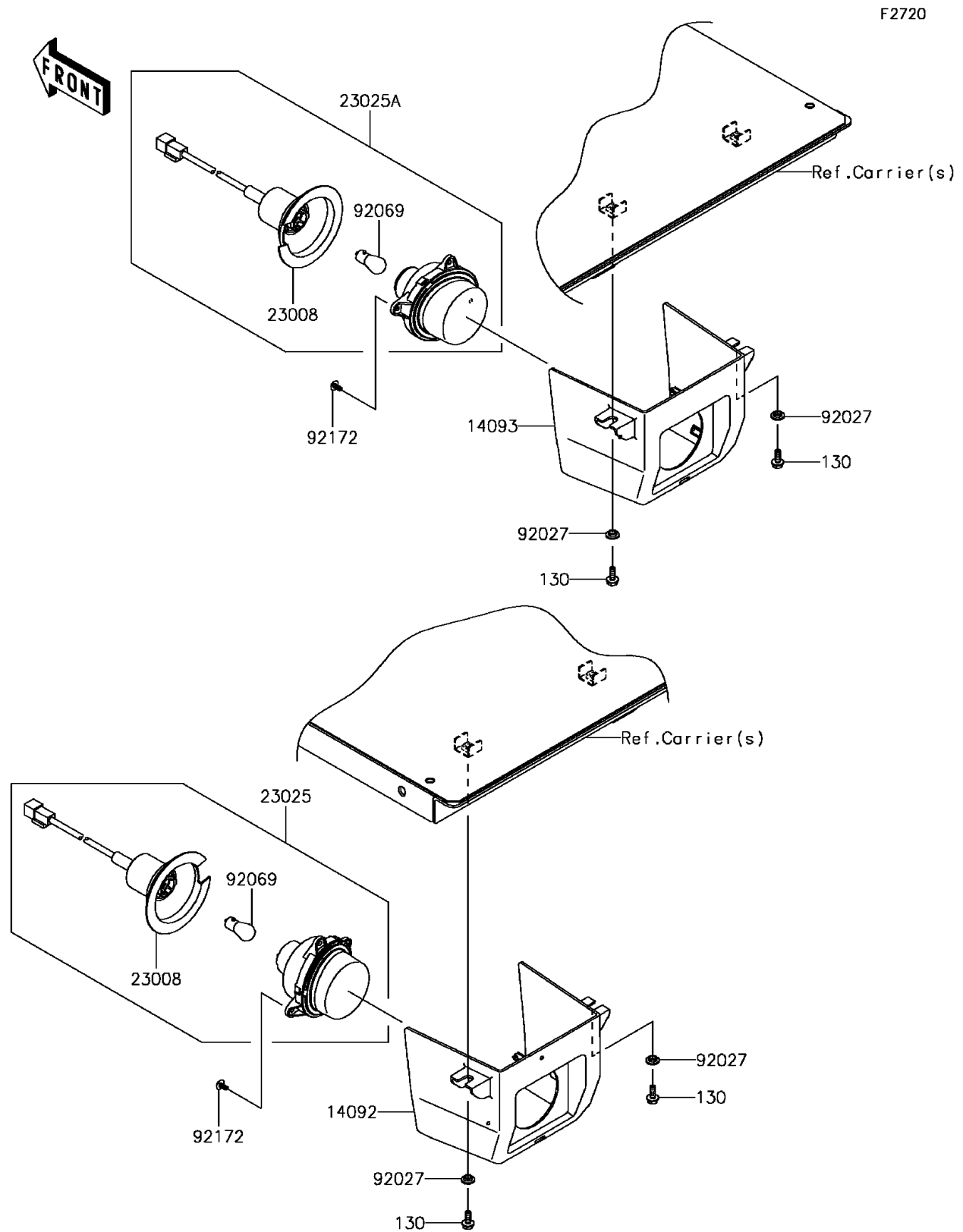


# 2016 MULE PRO-FXT™ EPS CAMO

## PARTS DIAGRAM

### Taillight(s)



# 2016 MULE PRO-FXT™ EPS CAMO

## PARTS LIST

Taillight(s)

**ITEM NAME**

**PART NUMBER**

**QUANTITY**

---