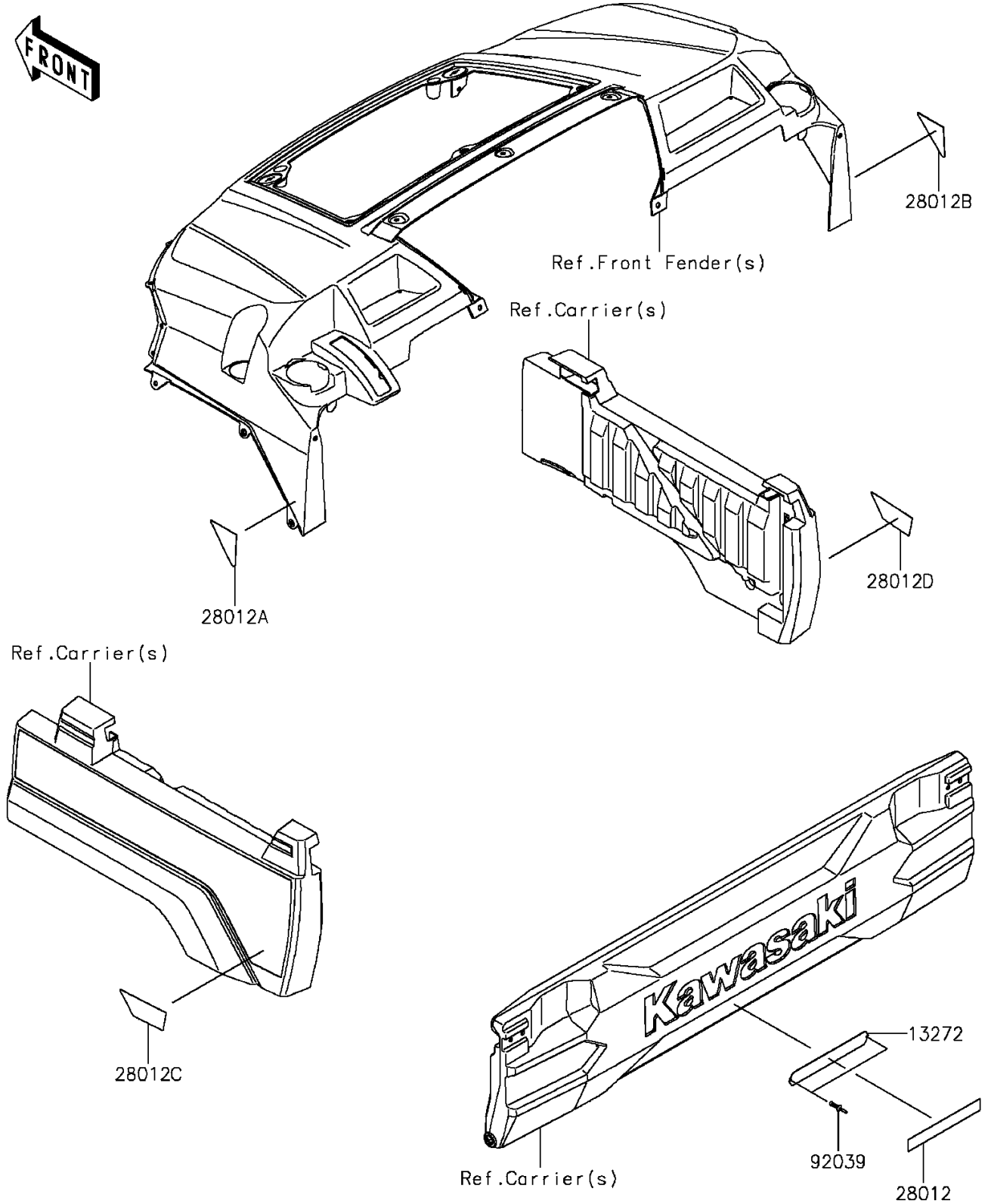


# 2016 MULE PRO-FXT™ EPS LE

## PARTS DIAGRAM

### Reflectors(CN)

F2790



# 2016 MULE PRO-FXT™ EPS LE

## PARTS LIST

### Reflectors(CN)

**ITEM NAME**

**PART NUMBER**

**QUANTITY**

---