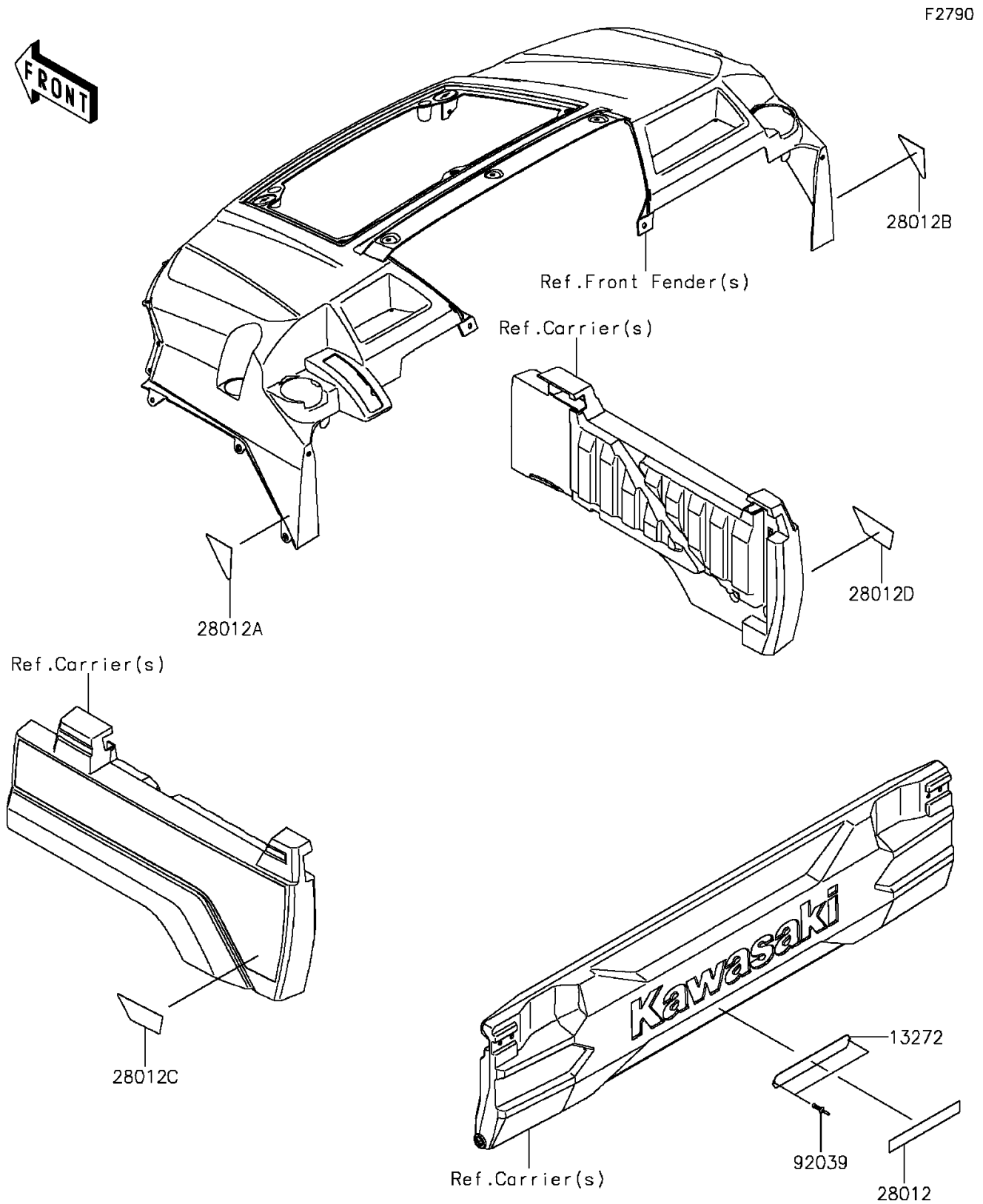


2015 MULE PRO-FXT™ EPS LE

PARTS DIAGRAM

Reflectors(CN)



2015 MULE PRO-FXT™ EPS LE

PARTS LIST

Reflectors(CN)

ITEM NAME

PART NUMBER

QUANTITY
