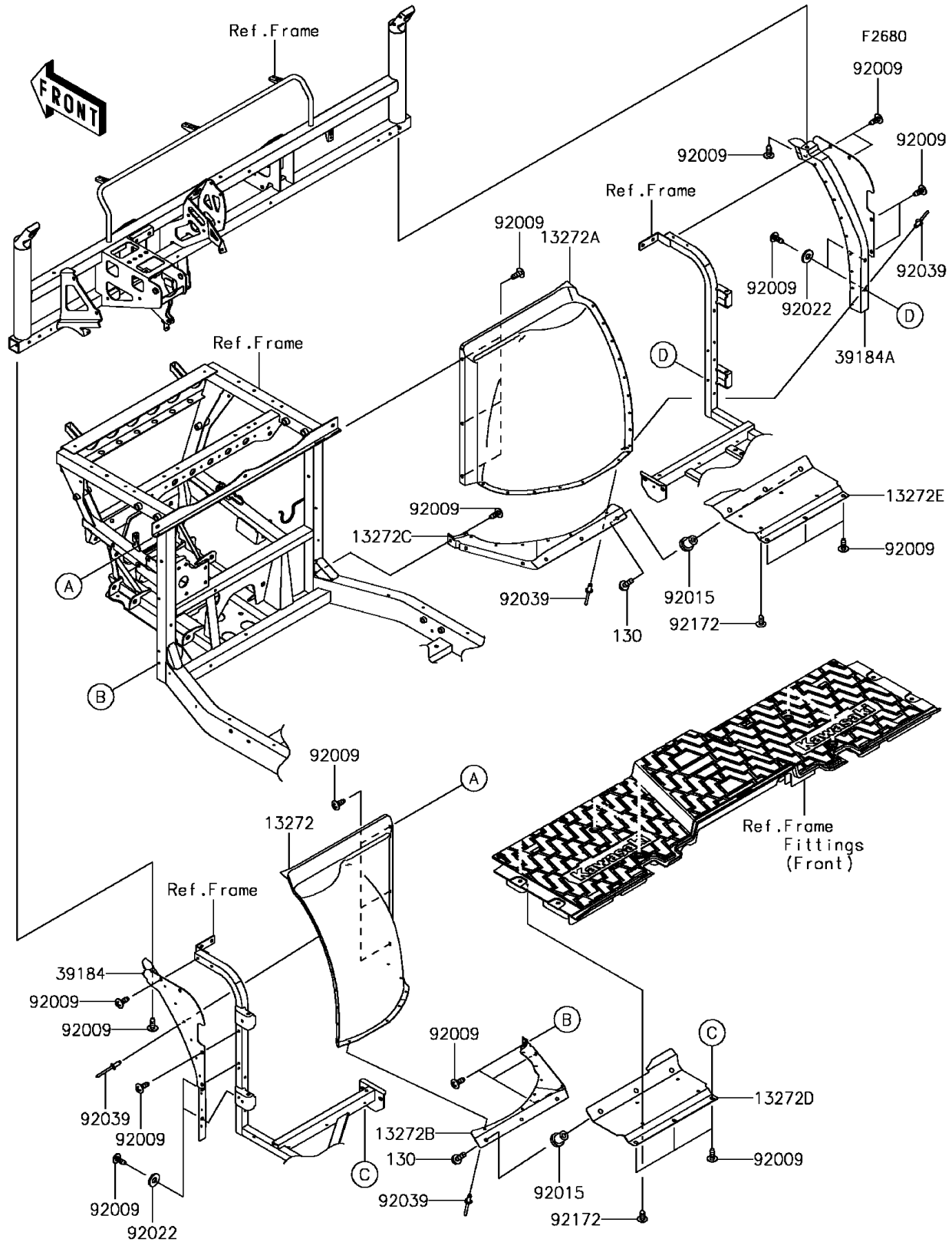


# 2016 MULE PRO-FXT™ EPS LE

## PARTS DIAGRAM

### Guard(s)



# 2016 MULE PRO-FXT™ EPS LE

## PARTS LIST

Guard(s)

**ITEM NAME**

**PART NUMBER**

**QUANTITY**

---