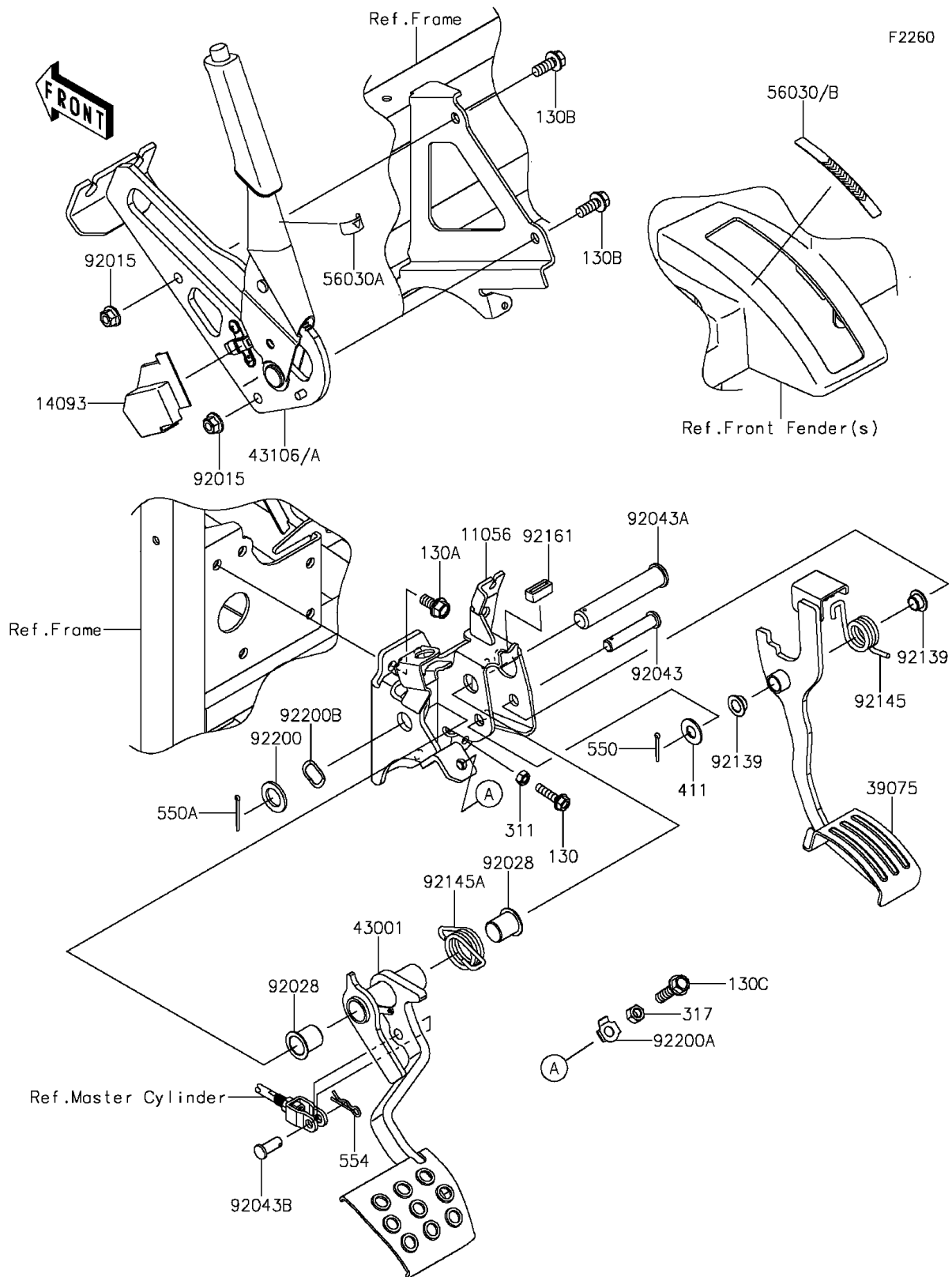


# 2016 MULE PRO-FXT™ EPS LE

## PARTS DIAGRAM

### Brake Pedal/Throttle Lever



# 2016 MULE PRO-FXT™ EPS LE

## PARTS LIST

### Brake Pedal/Throttle Lever

ITEM NAME	PART NUMBER	QUANTITY
-----------	-------------	----------

---