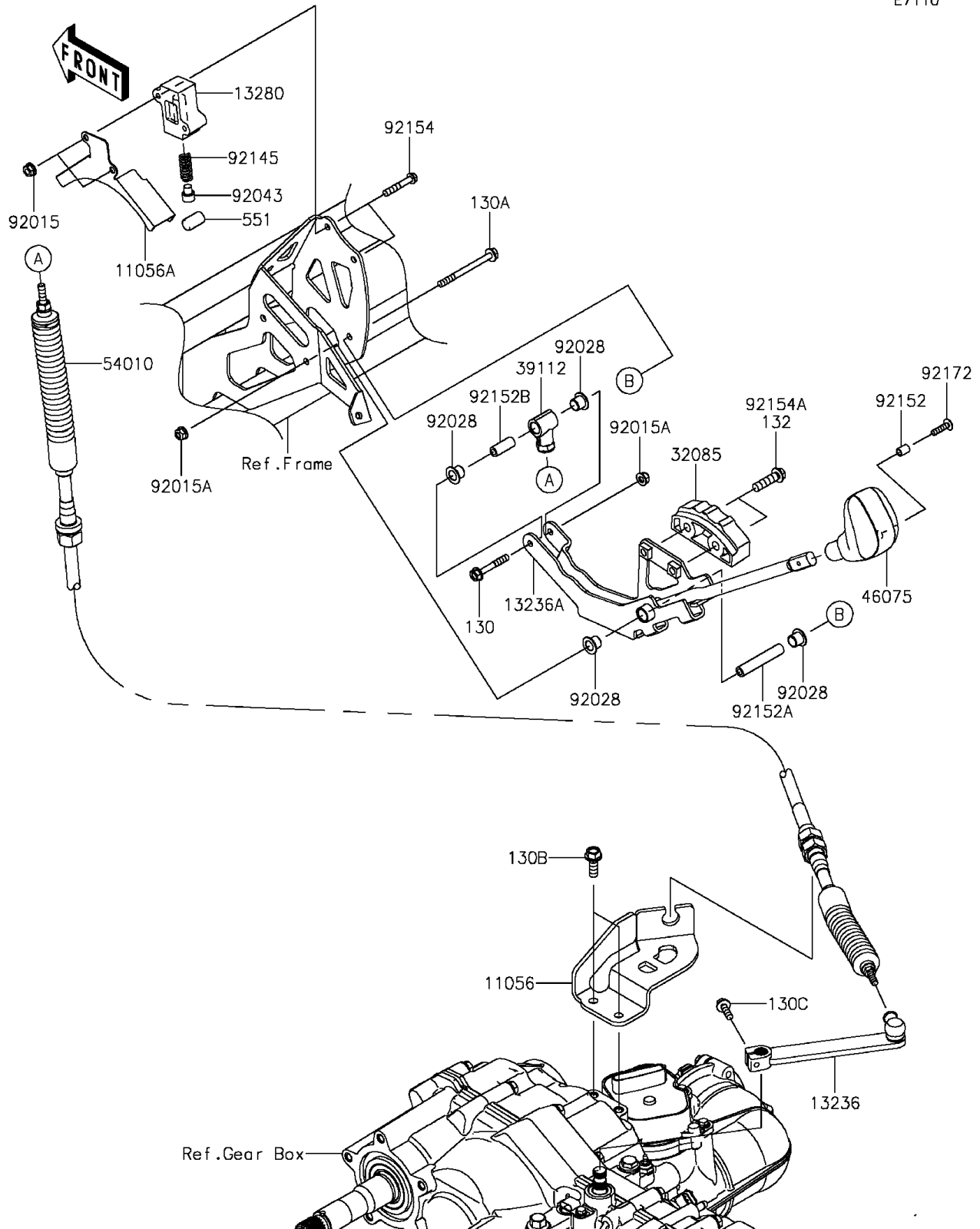


# 2015 MULE PRO-FXT™ EPS LE

## PARTS DIAGRAM

### Control

E7110



# 2015 MULE PRO-FXT™ EPS LE

## PARTS LIST

### Control



**ITEM NAME**

**PART NUMBER**

**QUANTITY**

---