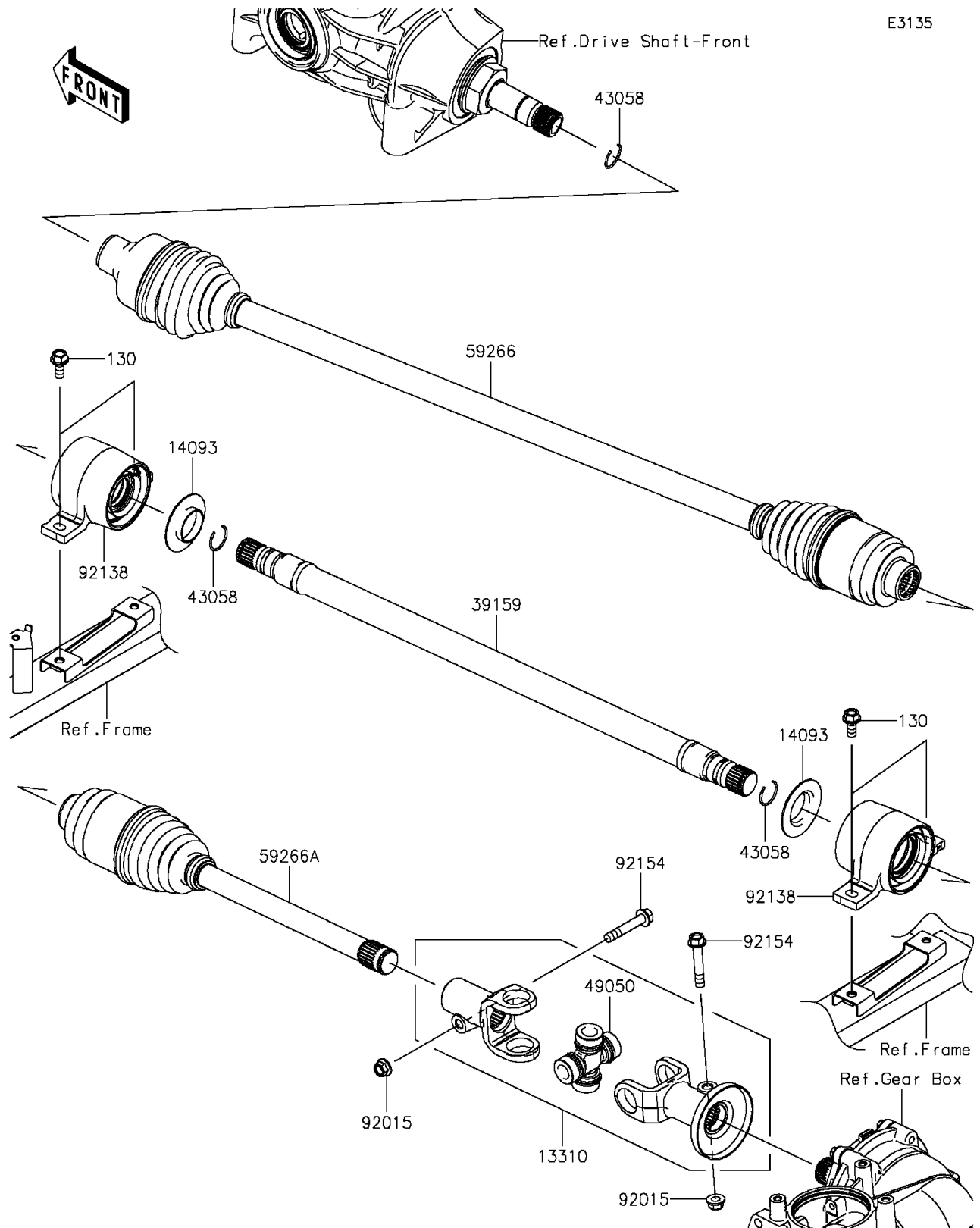


# 2016 MULE PRO-FXT™ EPS LE

## PARTS DIAGRAM

### Drive Shaft-Propeller



# 2016 MULE PRO-FXT™ EPS LE

## PARTS LIST

### Drive Shaft-Propeller

ITEM NAME	PART NUMBER	QUANTITY
-----------	-------------	----------

---