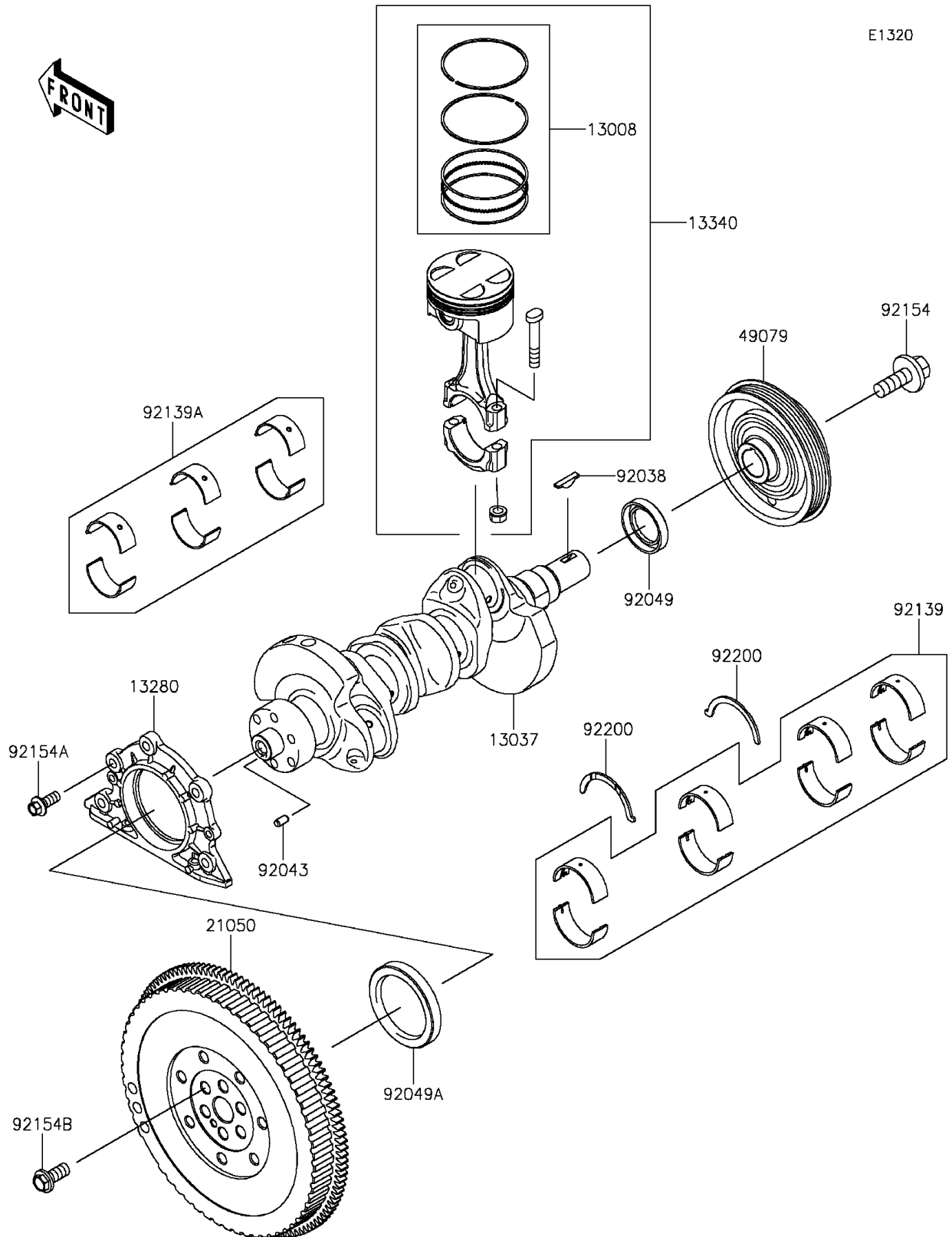


2016 MULE PRO-FXT™ EPS LE

PARTS DIAGRAM Crankshaft/Piston(s)



2016 MULE PRO-FXT™ EPS LE

PARTS LIST

Crankshaft/Piston(s)

ITEM NAME	PART NUMBER	QUANTITY
-----------	-------------	----------
