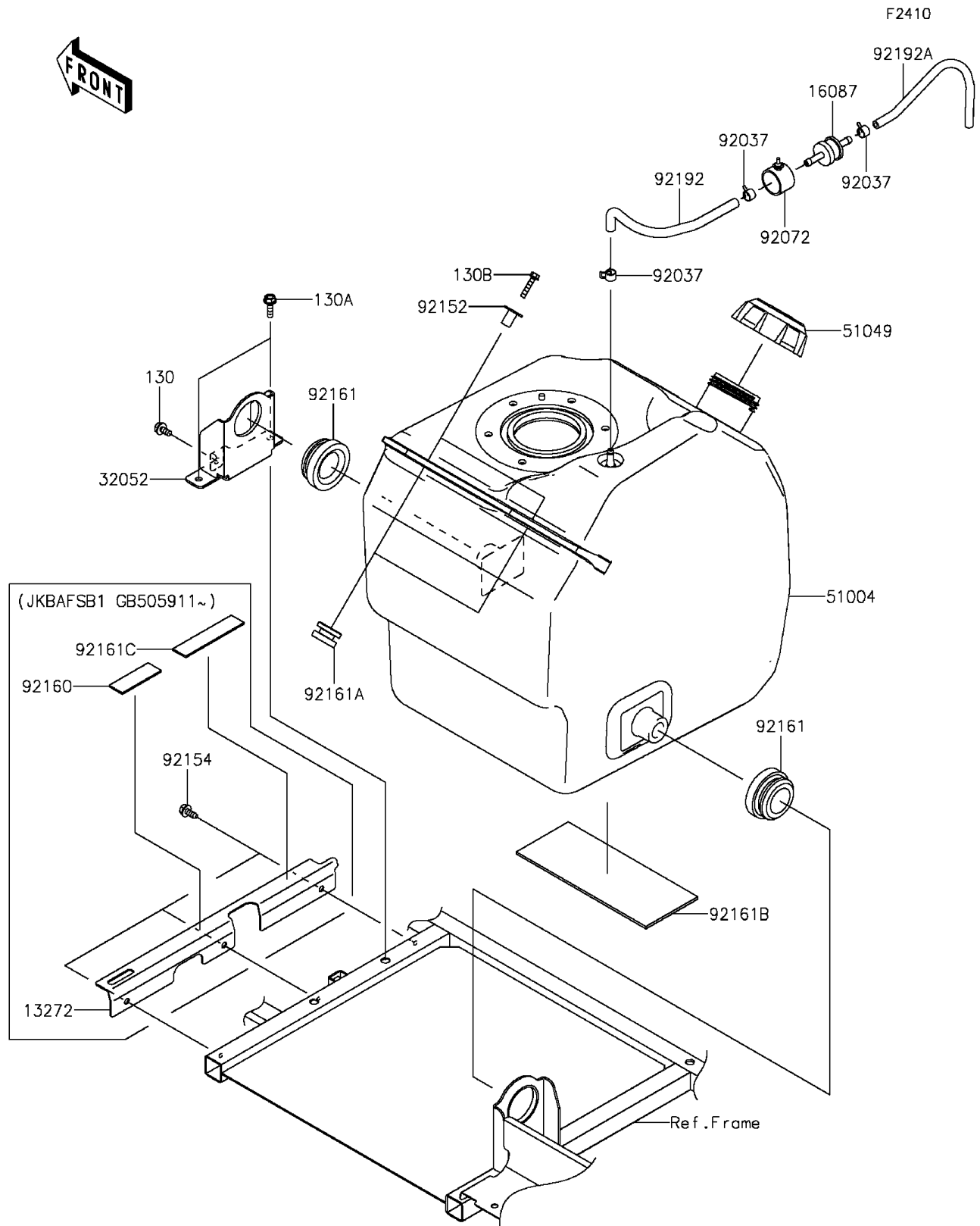


# 2016 MULE PRO-FXT™ EPS

## PARTS DIAGRAM

### Fuel Tank



# 2016 MULE PRO-FXT™ EPS

## PARTS LIST

Fuel Tank

**ITEM NAME**

**PART NUMBER**

**QUANTITY**

---