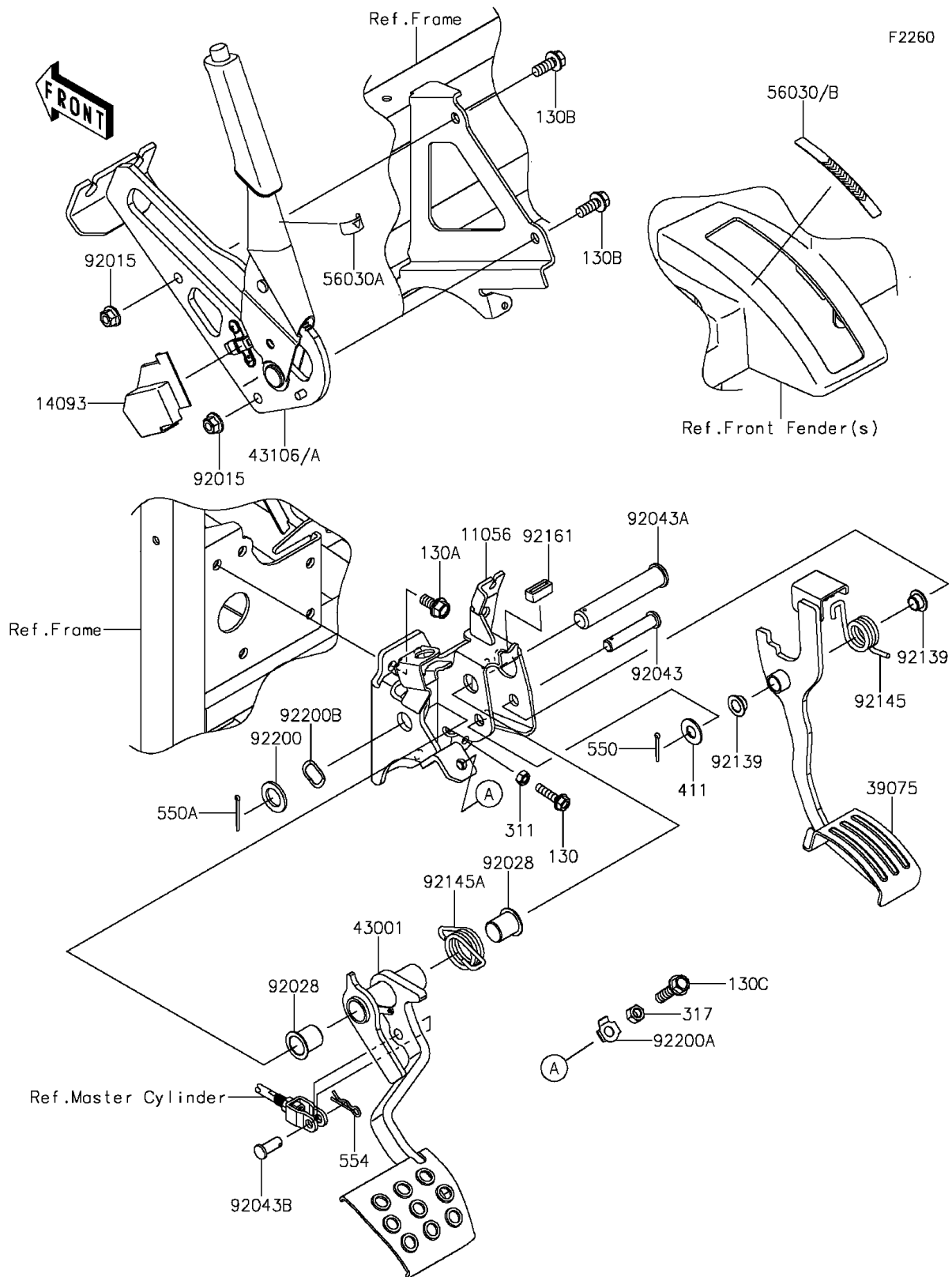


2015 MULE PRO-FXT™ EPS

PARTS DIAGRAM

Brake Pedal/Throttle Lever



2015 MULE PRO-FXT™ EPS

PARTS LIST

Brake Pedal/Throttle Lever

ITEM NAME	PART NUMBER	QUANTITY
-----------	-------------	----------
