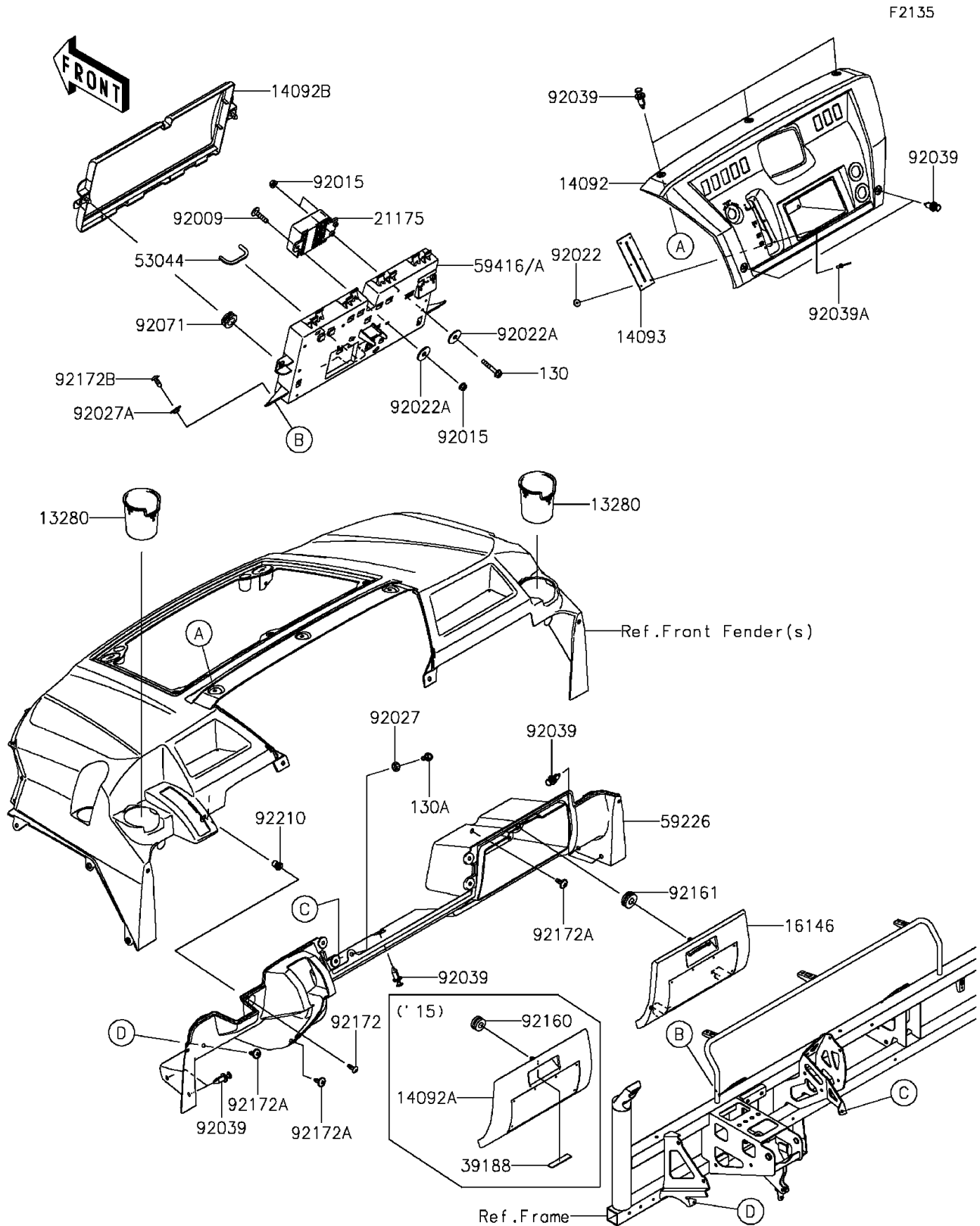


2015 MULE PRO-FXT™ EPS

PARTS DIAGRAM

Front Box



2015 MULE PRO-FXT™ EPS

PARTS LIST

Front Box

ITEM NAME

PART NUMBER

QUANTITY
