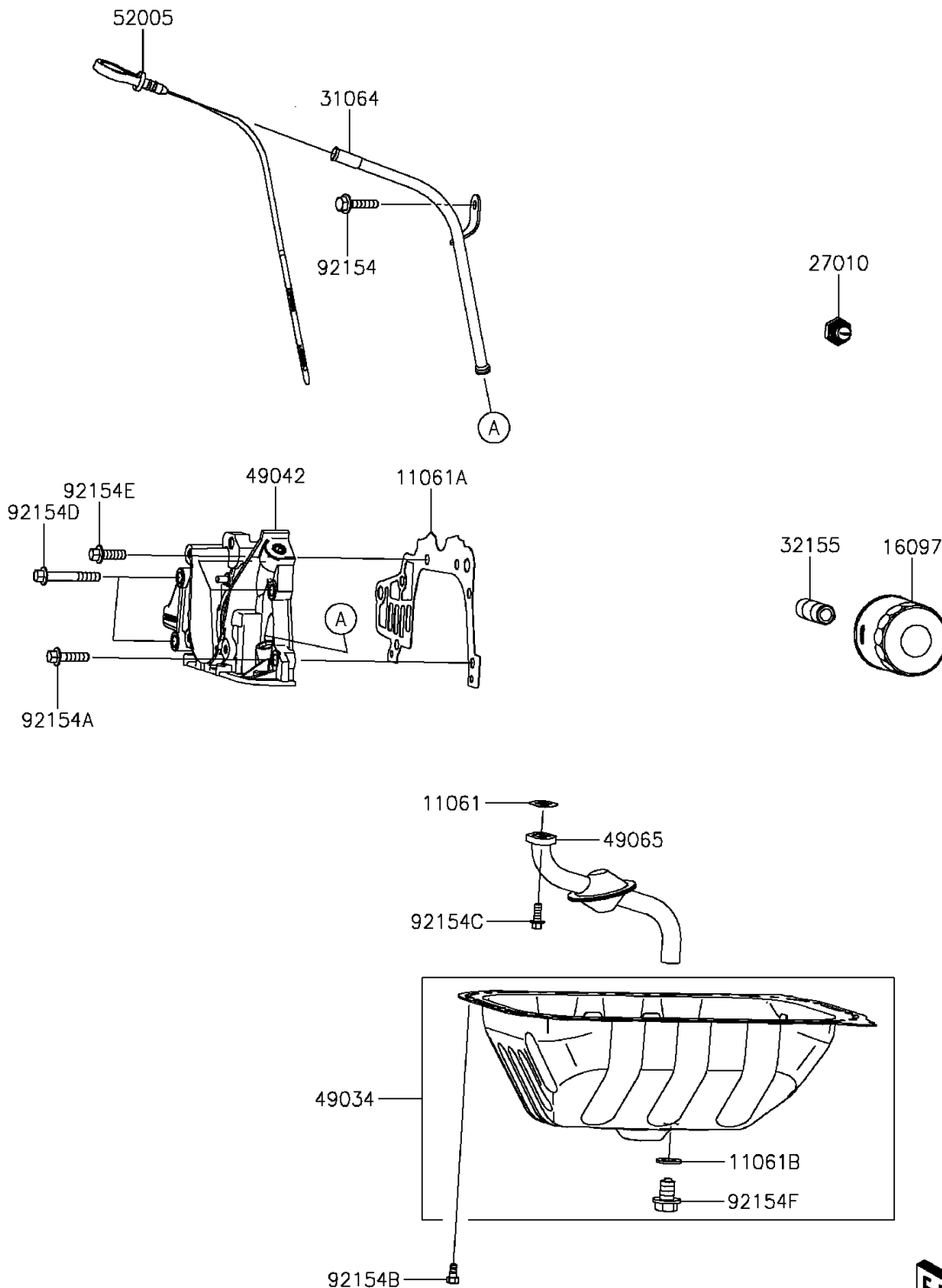


2015 MULE PRO-FXT™ EPS

PARTS DIAGRAM

Oil Pump/Oil Filter

E1710



2015 MULE PRO-FXT™ EPS

PARTS LIST

Oil Pump/Oil Filter

ITEM NAME	PART NUMBER	QUANTITY
-----------	-------------	----------
