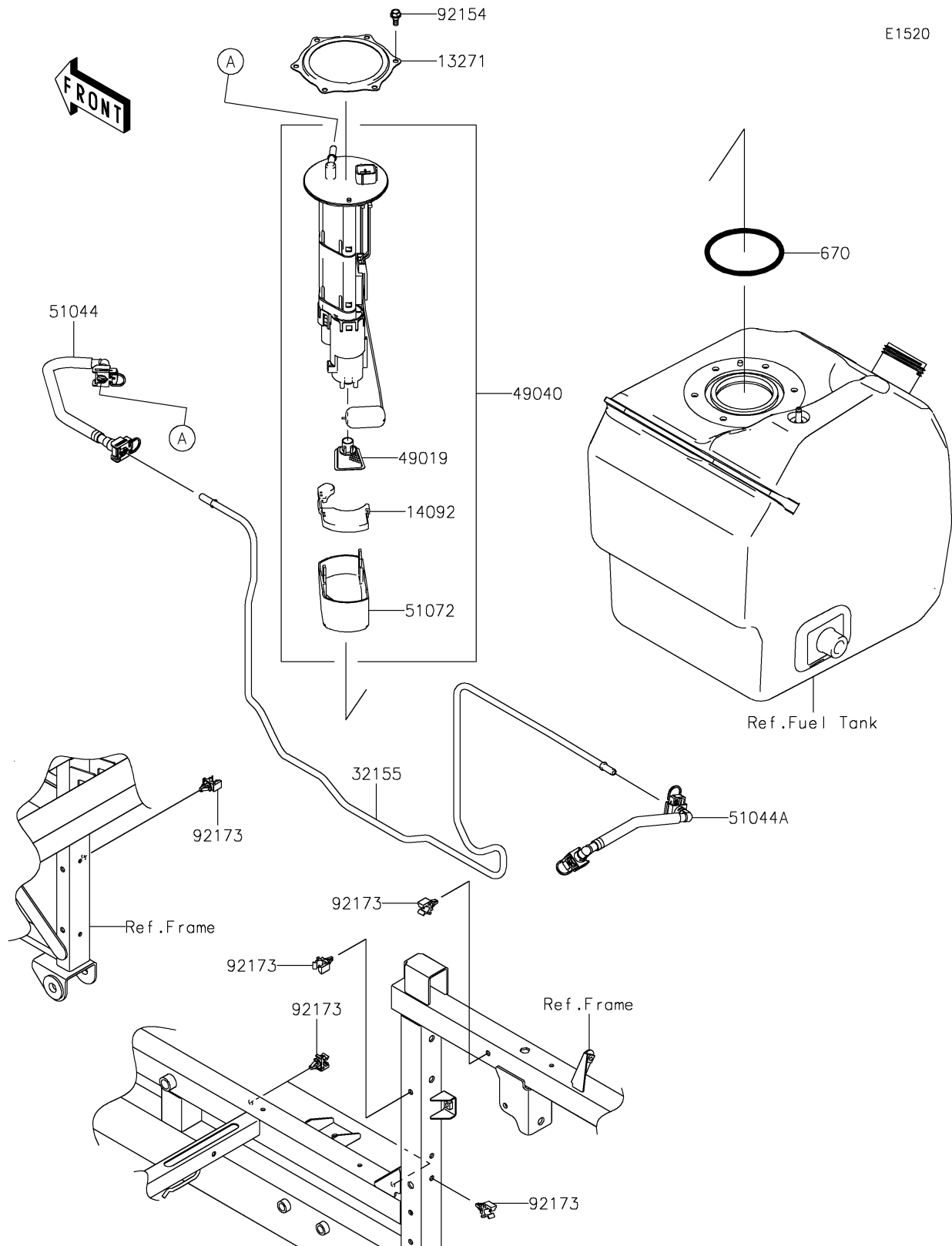


2016 MULE PRO-FXT™ EPS

PARTS DIAGRAM

Fuel Pump



2016 MULE PRO-FXT™ EPS

PARTS LIST

Fuel Pump

ITEM NAME

PART NUMBER

QUANTITY
