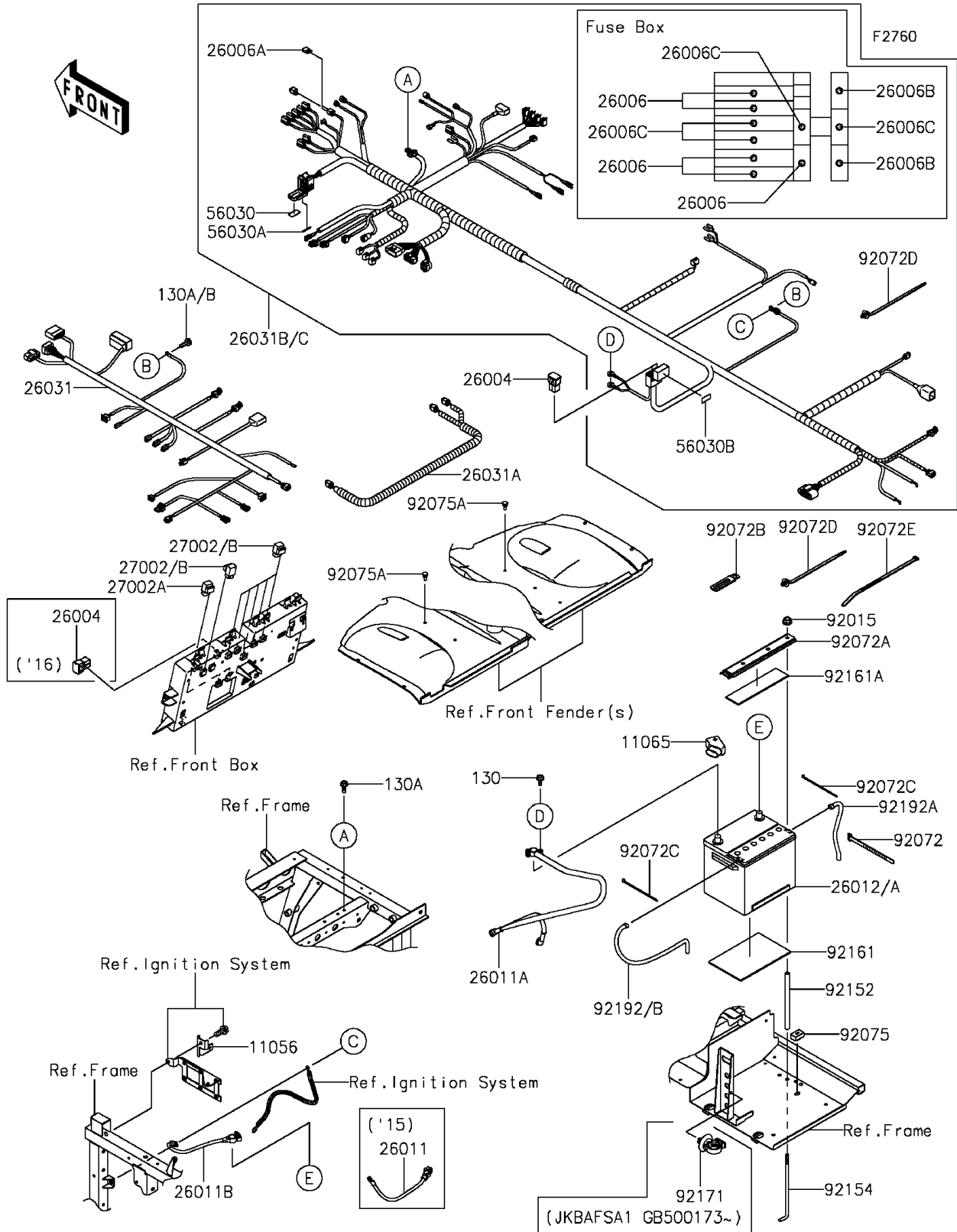


2015 MULE PRO-FXT™

PARTS DIAGRAM

Chassis Electrical Equipment



2015 MULE PRO-FXT™

PARTS LIST

Chassis Electrical Equipment

ITEM NAME

PART NUMBER

QUANTITY
