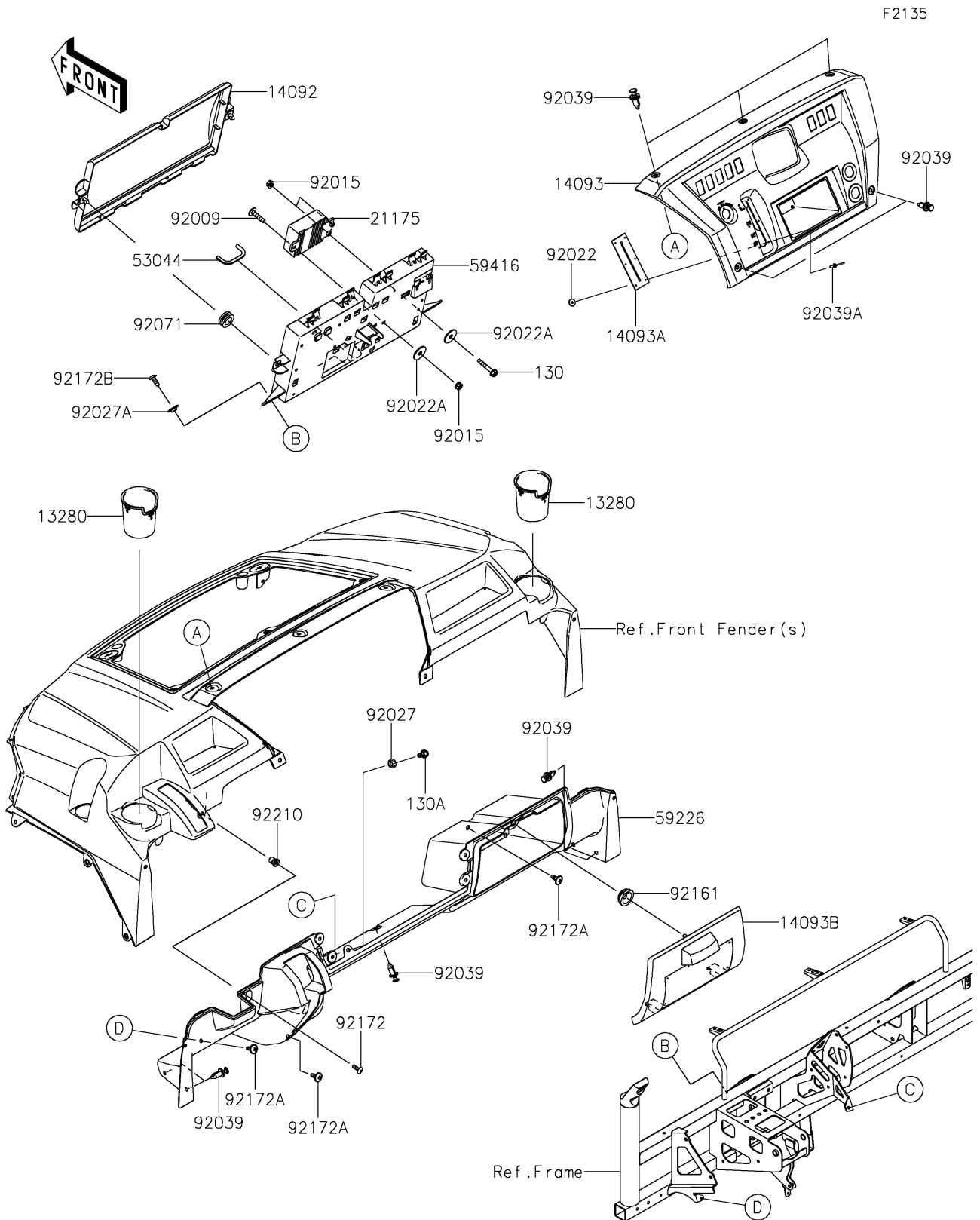


# 2018 MULE PRO-FXR™

## PARTS DIAGRAM

### Front Box



# 2018 MULE PRO-FXR™

## PARTS LIST

### Front Box

**ITEM NAME**

**PART NUMBER**

**QUANTITY**

---