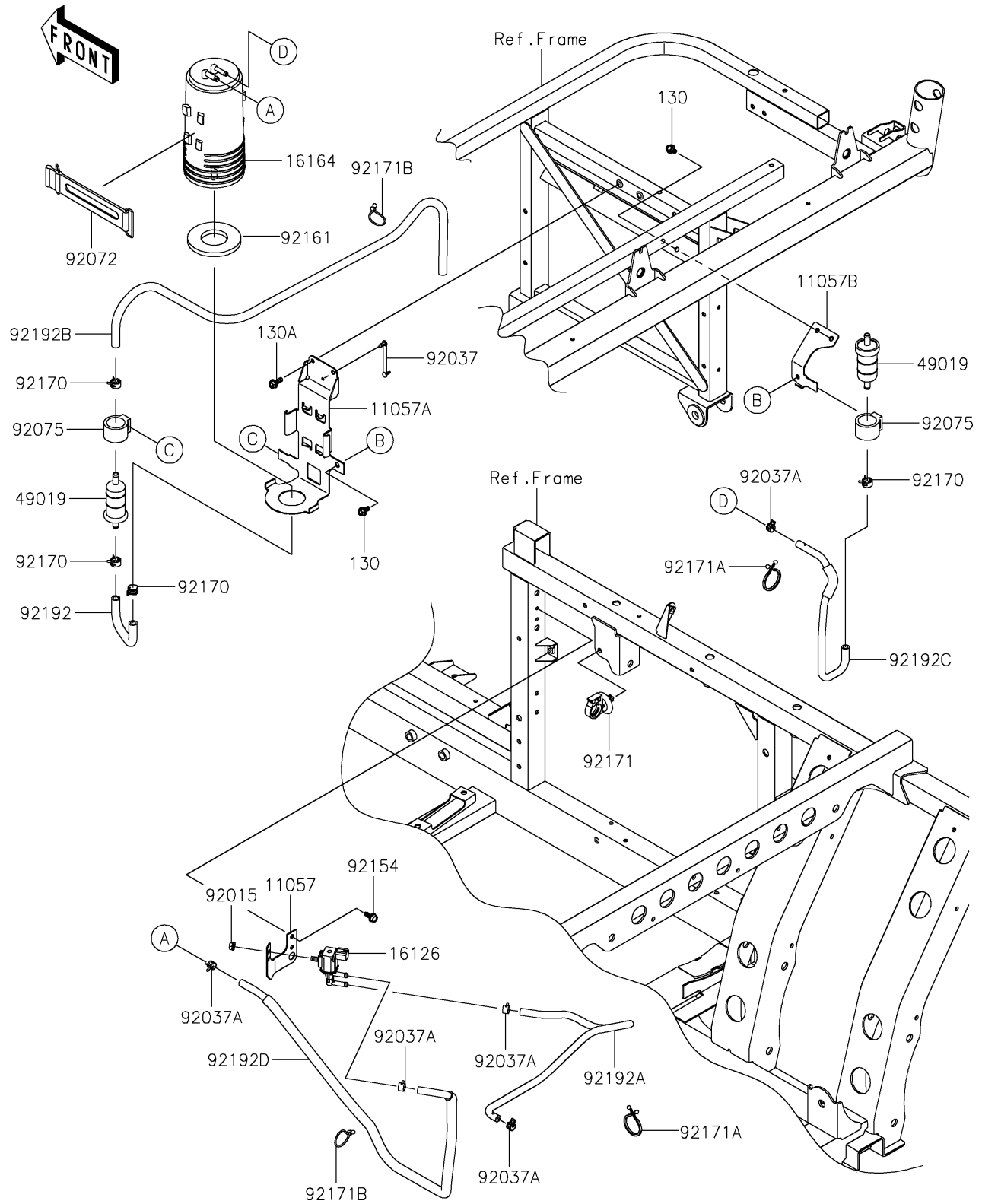


2020 MULE PRO-FXR™

PARTS DIAGRAM

Fuel Evaporative System(KLF)(CA)

E1650A



2020 MULE PRO-FXR™

PARTS LIST

Fuel Evaporative System(KLF)(CA)

| ITEM NAME | PART NUMBER | QUANTITY |
|---|-------------|----------|
| BRACKET,VALVE (Ref # 11057) | 11057-0763 | 1 |
| BRACKET,CANISTER (Ref # 11057A) | 11057-2694 | 1 |
| BRACKET (Ref # 11057B) | 11057-2695 | 1 |
| VALVE,SOLENOID (Ref # 16126) | 16126-0705 | 1 |
| CANISTER (Ref # 16164) | 16164-0016 | 1 |
| FILTER-FUEL (Ref # 49019) | 49019-0032 | 2 |
| NUT,FLANGED,6MM (Ref # 92015) | 92015-1367 | 1 |
| CLAMP,SPEED,L=58 (Ref # 92037) | 92037-1163 | 1 |
| CLAMP (Ref # 92037A) | 92037-2113 | 5 |
| BAND,L=168 (Ref # 92072) | 92072-1306 | 1 |
| DAMPER,FUEL FILTER (Ref # 92075) | 92075-1853 | 2 |
| BOLT,6X15.6 (Ref # 92154) | 92154-1250 | 2 |
| DAMPER (Ref # 92161) | 92161-1843 | 1 |
| CLAMP (Ref # 92170) | 92170-2082 | 4 |
| CLAMP (Ref # 92171) | 92171-0453 | 1 |
| CLAMP (Ref # 92171A) | 92171-0876 | 2 |
| CLAMP (Ref # 92171B) | 92171-1185 | 2 |
| TUBE,FILTER-CANISTER (Ref # 92192) | 92192-1665 | 1 |
| TUBE,VALVE-INTAKE MANIFOLD (Ref # 92192A) | 92192-1667 | 1 |
| TUBE,AIR-FUEL FILTER (Ref # 92192B) | 92192-1900 | 1 |
| BOLT-FLANGED,6X12 (Ref # 130) | 130BA0612 | 3 |
| BOLT-FLANGED,6X16 (Ref # 130A) | 130BA0616 | 2 |
| TUBE,FILTER-CANISTER (Ref # 92192C) | 92192-2252 | 1 |
| TUBE,CANISTER-VALVE (Ref # 92192D) | 92192-2287 | 1 |