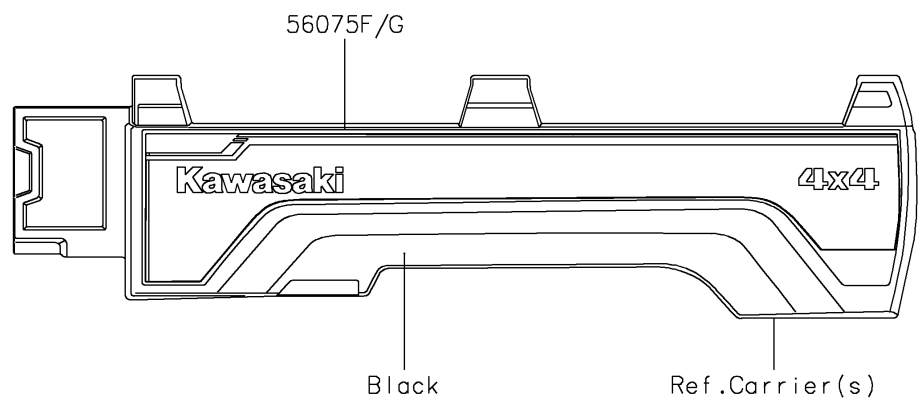
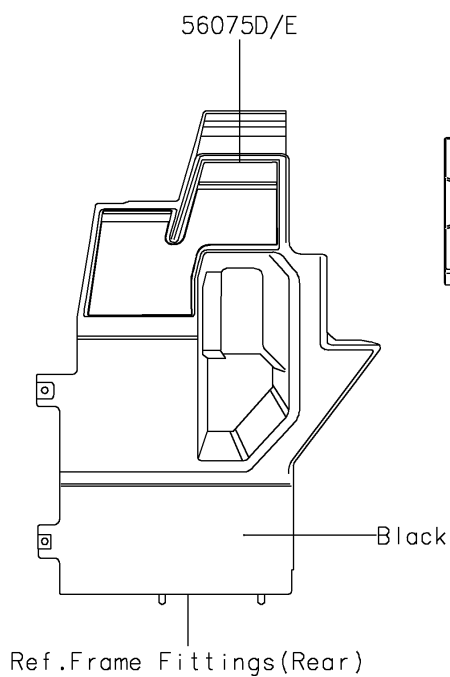
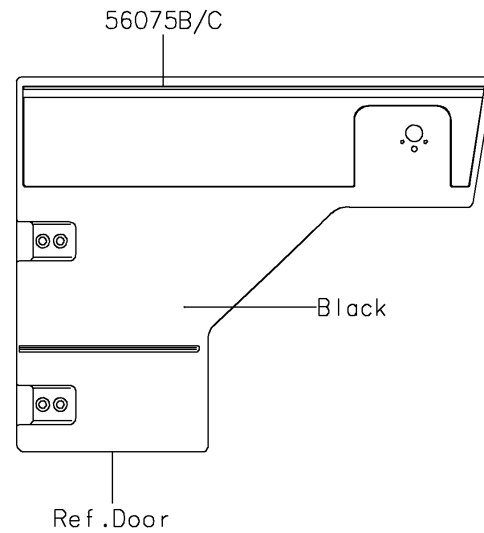
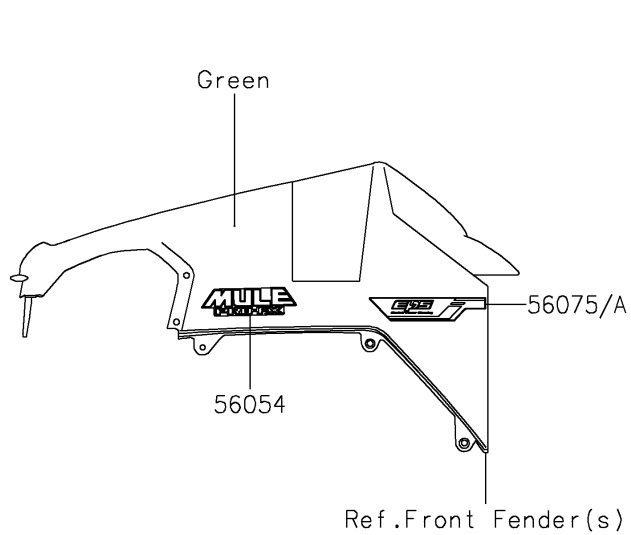


# 2020 MULE PRO-FX™ EPS

## PARTS DIAGRAM

### Decals(Green)(FKF/FLF)

F2861C



# 2020 MULE PRO-FX™ EPS

## PARTS LIST

Decals(Green)(FKF/FLF)

**ITEM NAME**

**PART NUMBER**

**QUANTITY**

---