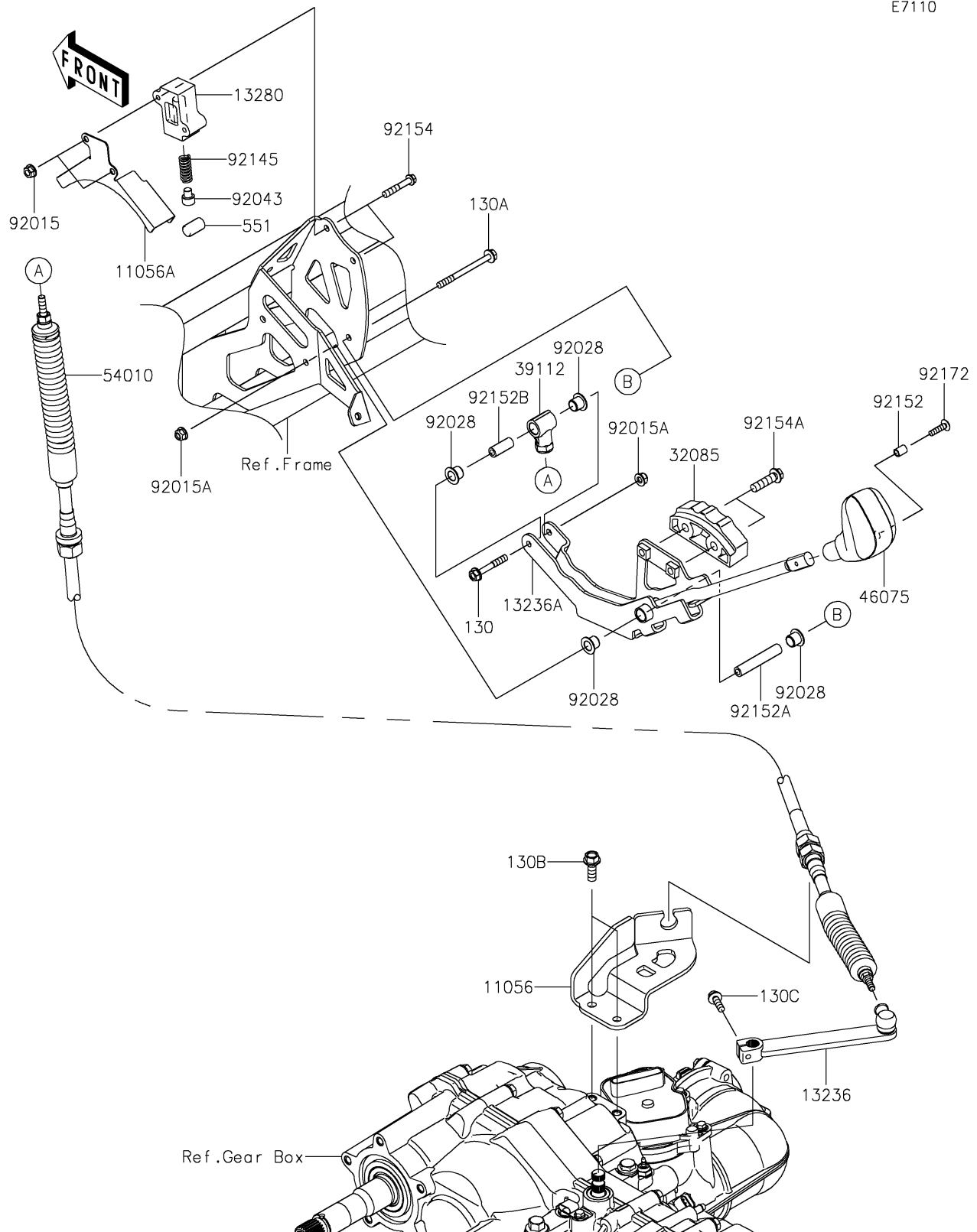


# 2020 MULE PRO-FX™ EPS

## PARTS DIAGRAM

### Control

E7110



# 2020 MULE PRO-FX™ EPS

## PARTS LIST

### Control



**ITEM NAME**

**PART NUMBER**

**QUANTITY**

---