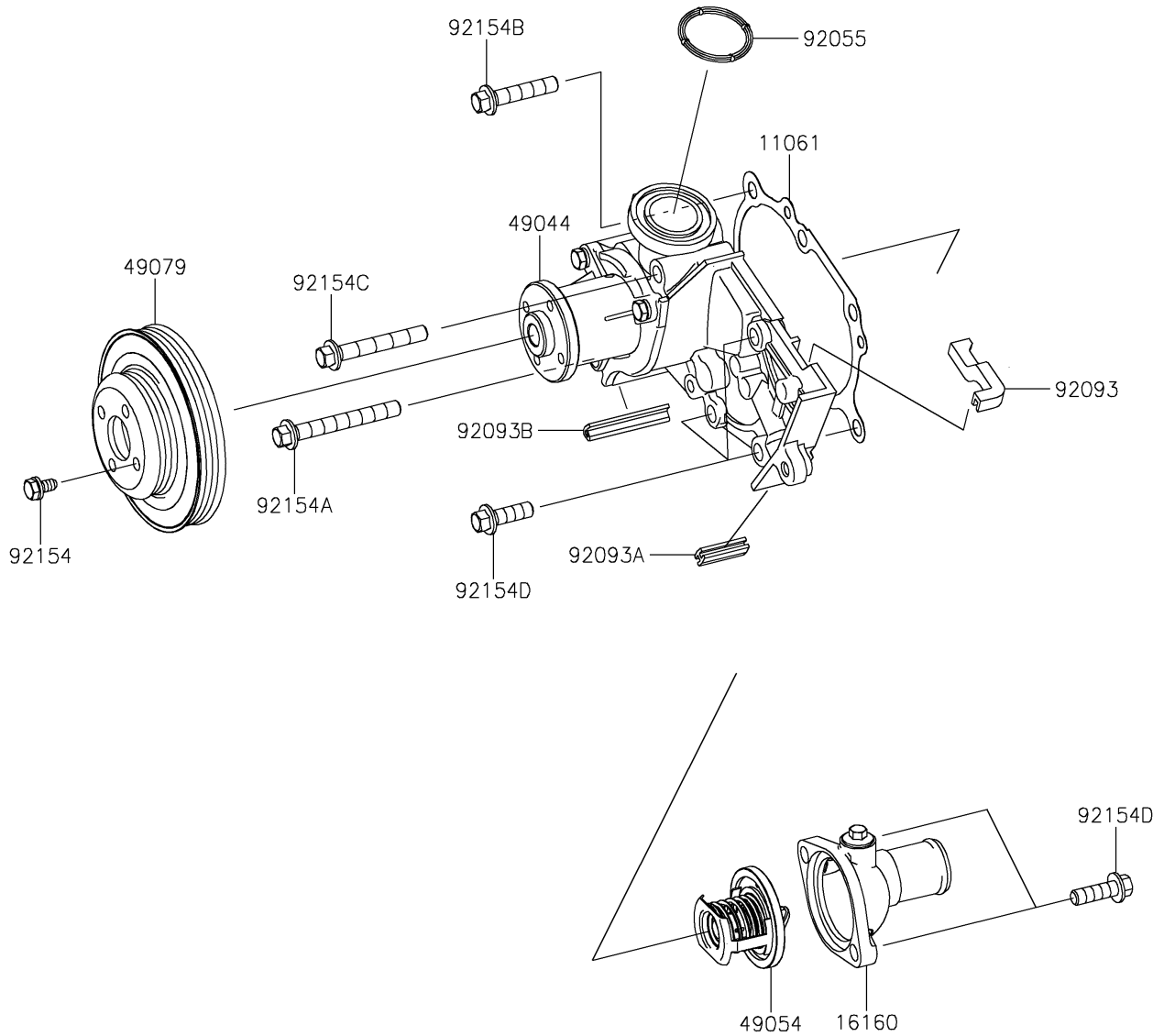


2020 MULE PRO-FX™ EPS

PARTS DIAGRAM

Water Pump

E3031



2020 MULE PRO-FX™ EPS

PARTS LIST

Water Pump

ITEM NAME

PART NUMBER

QUANTITY
