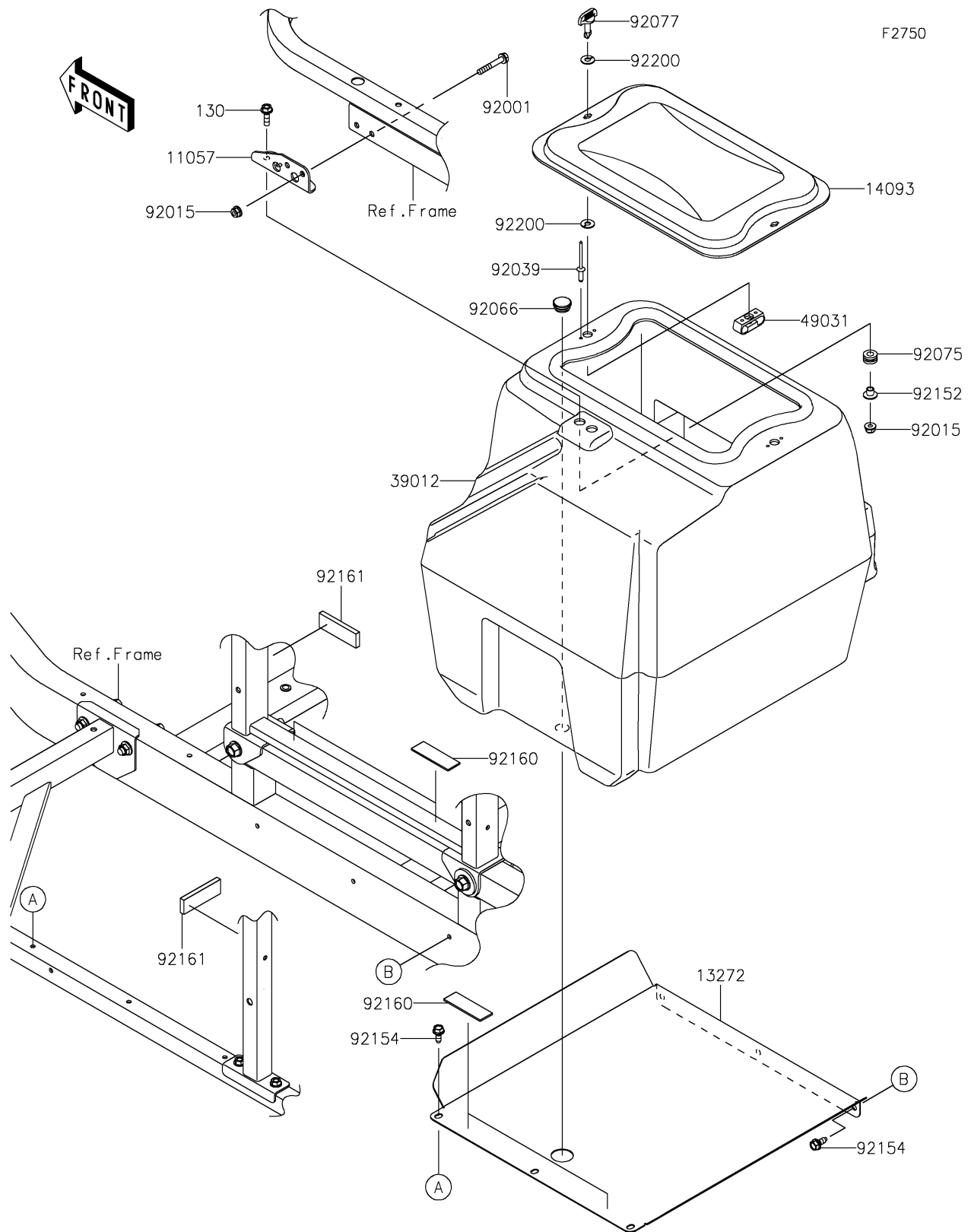


# 2018 MULE PRO-FX™

## PARTS DIAGRAM

Other



# 2018 MULE PRO-FX™

## PARTS LIST

Other

**ITEM NAME**

**PART NUMBER**

**QUANTITY**

---