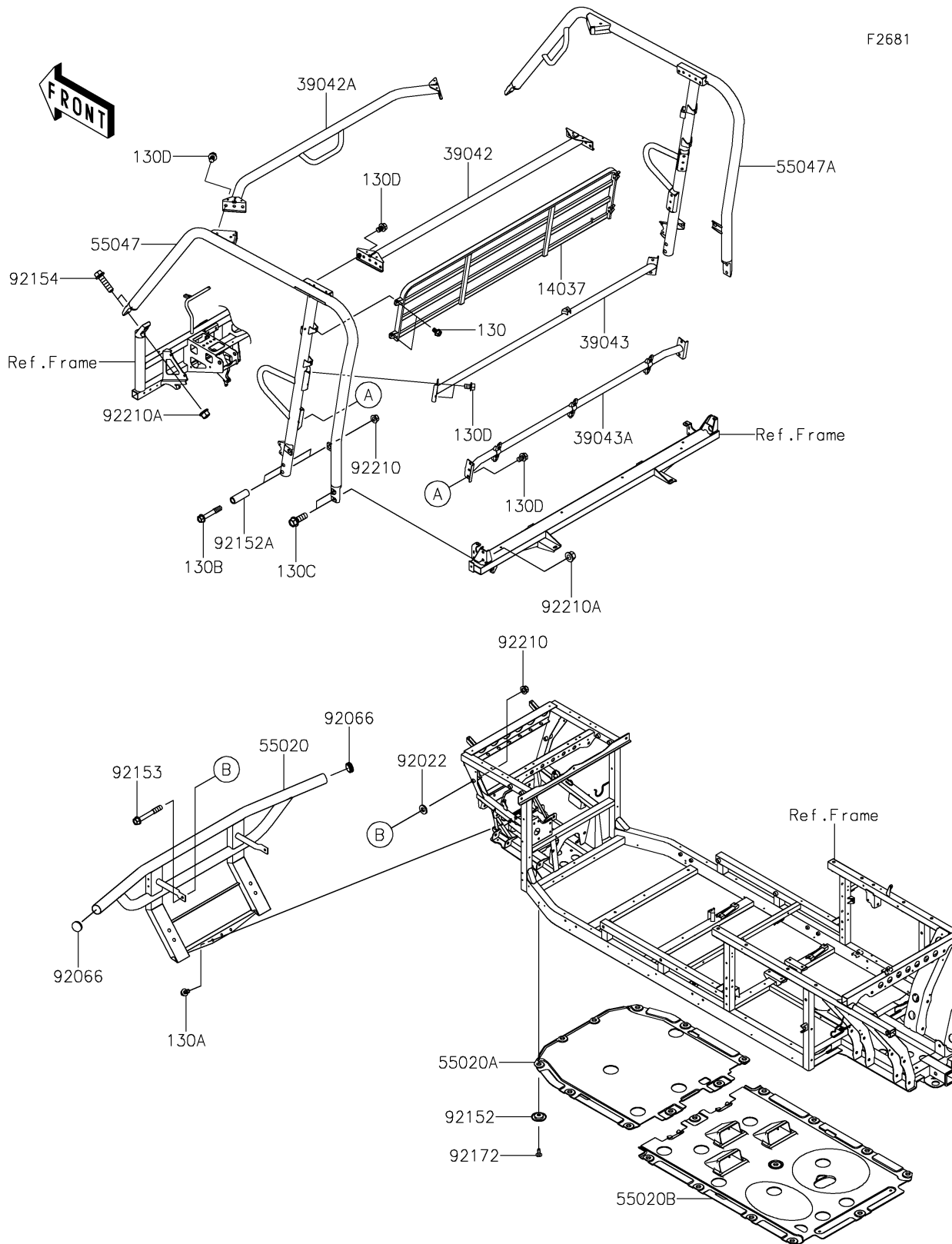


2019 MULE PRO-FX™

PARTS DIAGRAM

Guards/Cab Frame



2019 MULE PRO-FX™

PARTS LIST

Guards/Cab Frame

ITEM NAME

PART NUMBER

QUANTITY
