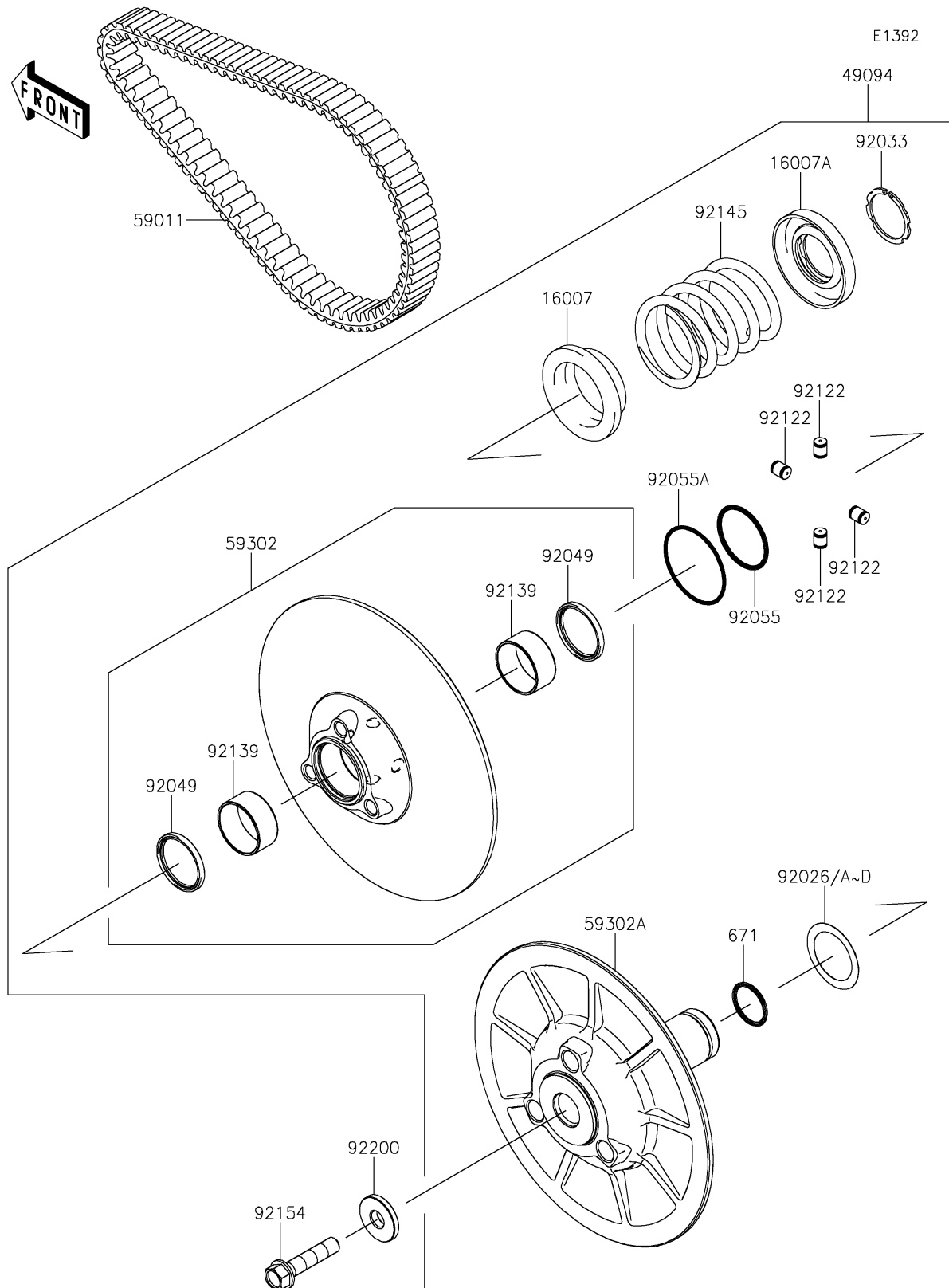


# 2020 MULE PRO-FX™

## PARTS DIAGRAM

### Driven Converter/Drive Belt



# 2020 MULE PRO-FX™

## PARTS LIST

### Driven Converter/Drive Belt

**ITEM NAME**

**PART NUMBER**

**QUANTITY**

---