

2020 MULE PRO-FXT™ RANCH EDITION

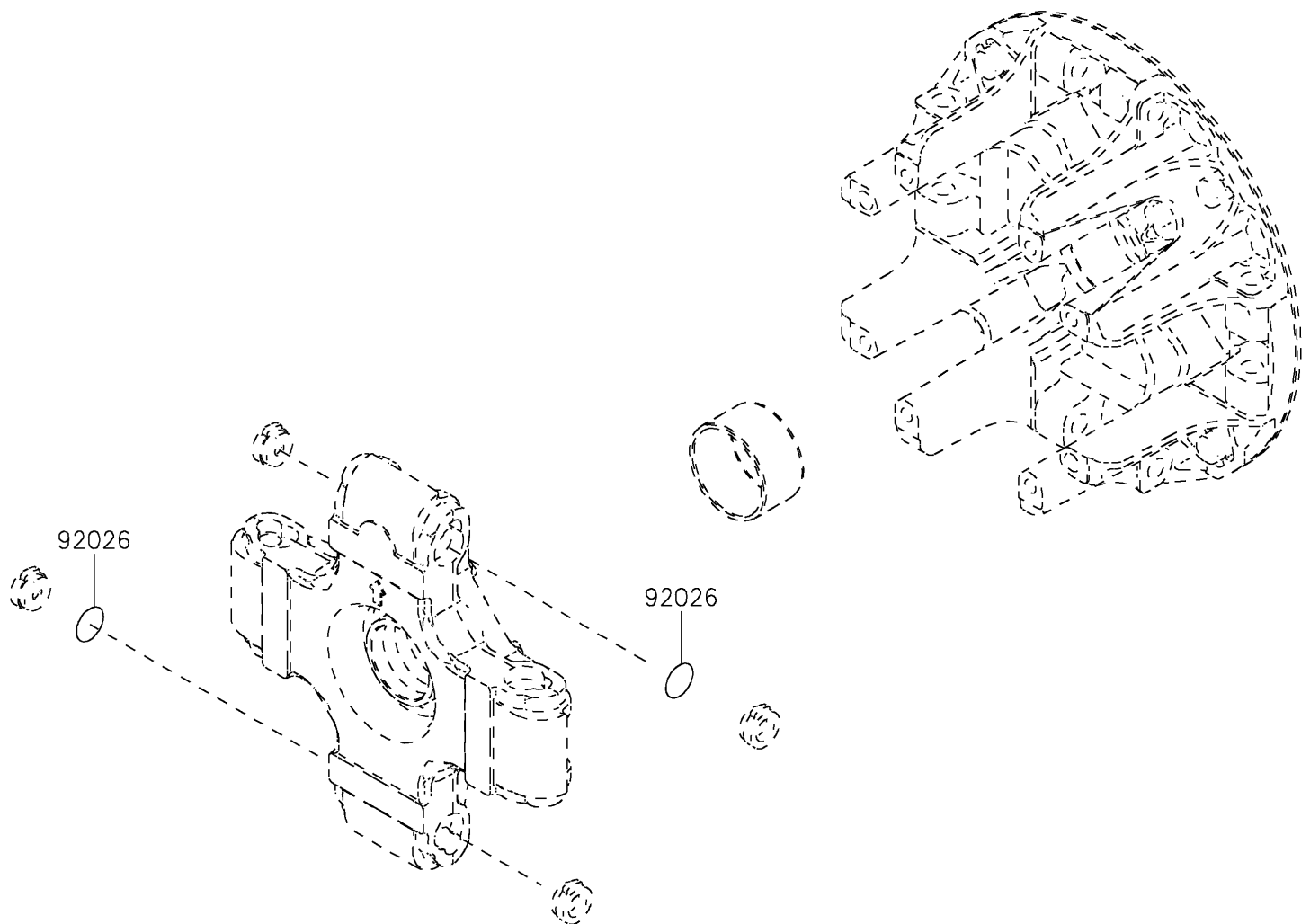
PARTS DIAGRAM

Optional Parts

F2890



(Ref. Drive Converter)



2020 MULE PRO-FXT™ RANCH EDITION



PARTS LIST

Optional Parts

ITEM NAME	PART NUMBER	QUANTITY
-----------	-------------	----------
