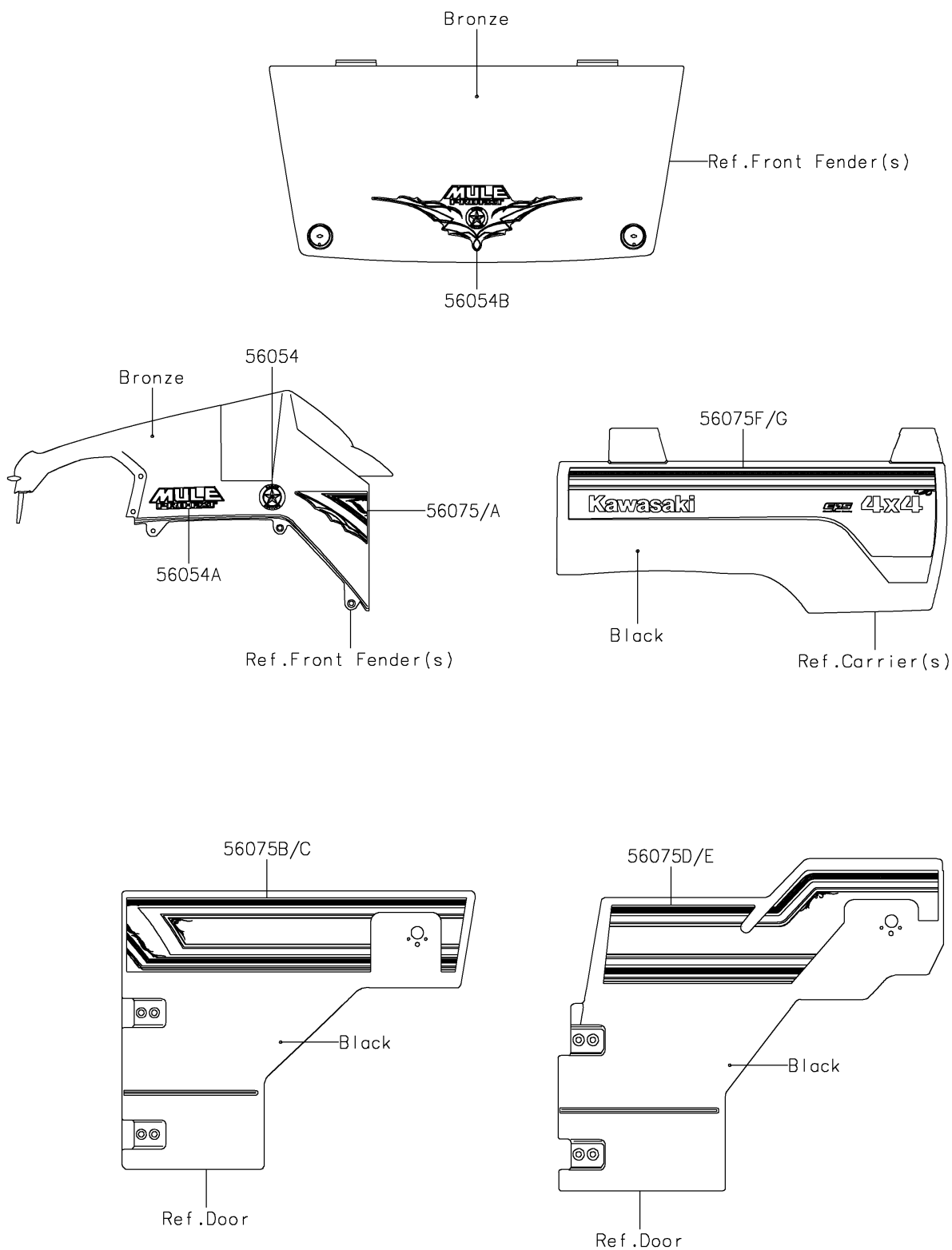


# 2019 MULE PRO-FXT™ RANCH EDITION

## PARTS DIAGRAM

### Decals(Bronze)(JKF/JLF)

F2861A



# 2019 MULE PRO-FXT™ RANCH EDITION



## PARTS LIST

Decals(Bronze)(JKF/JLF)

**ITEM NAME**

**PART NUMBER**

**QUANTITY**

---