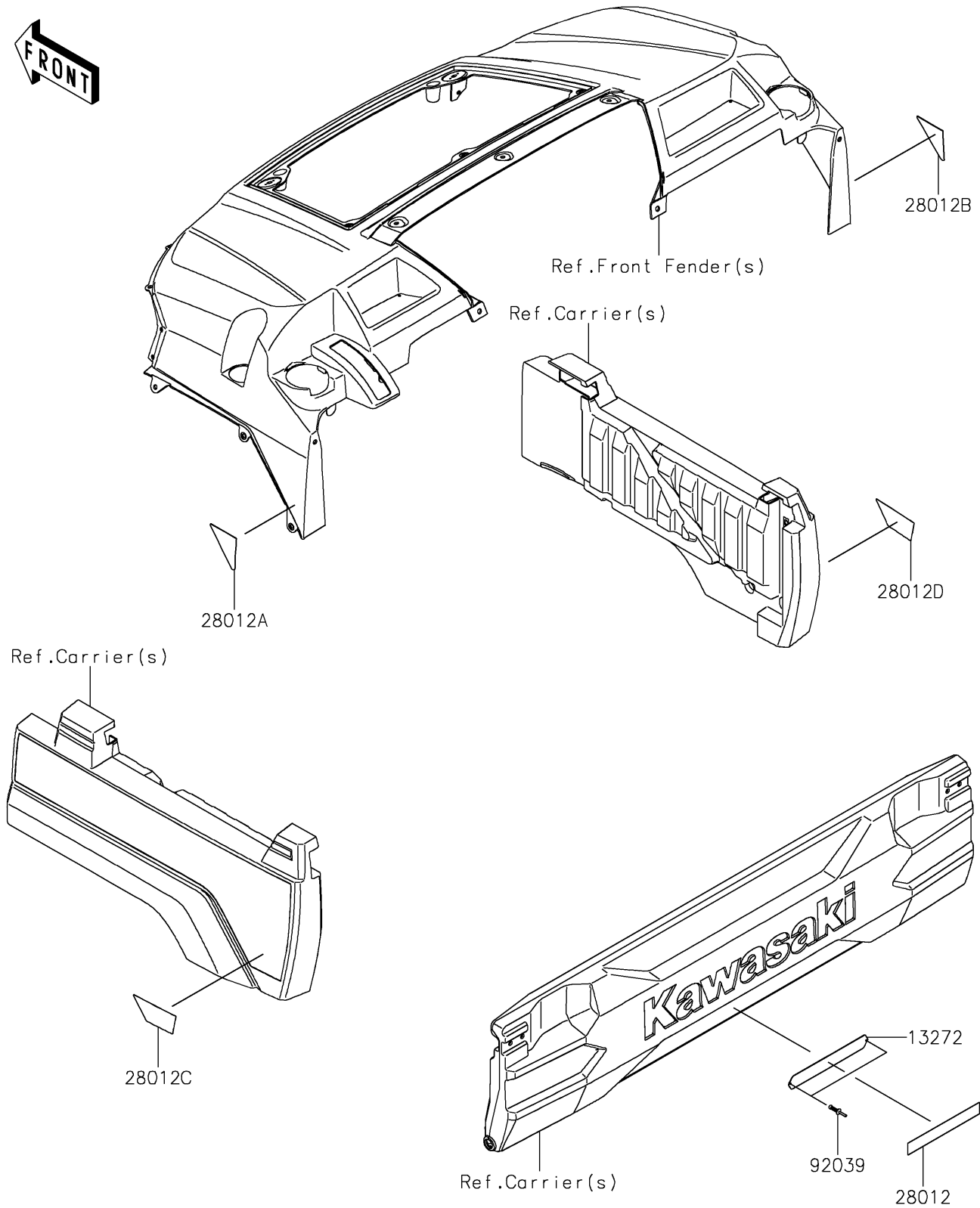


# 2019 MULE PRO-FXT™ RANCH EDITION

## PARTS DIAGRAM

### Reflectors(CN)

F2790



# 2019 MULE PRO-FXT™ RANCH EDITION



## PARTS LIST

### Reflectors(CN)

**ITEM NAME**

**PART NUMBER**

**QUANTITY**

---