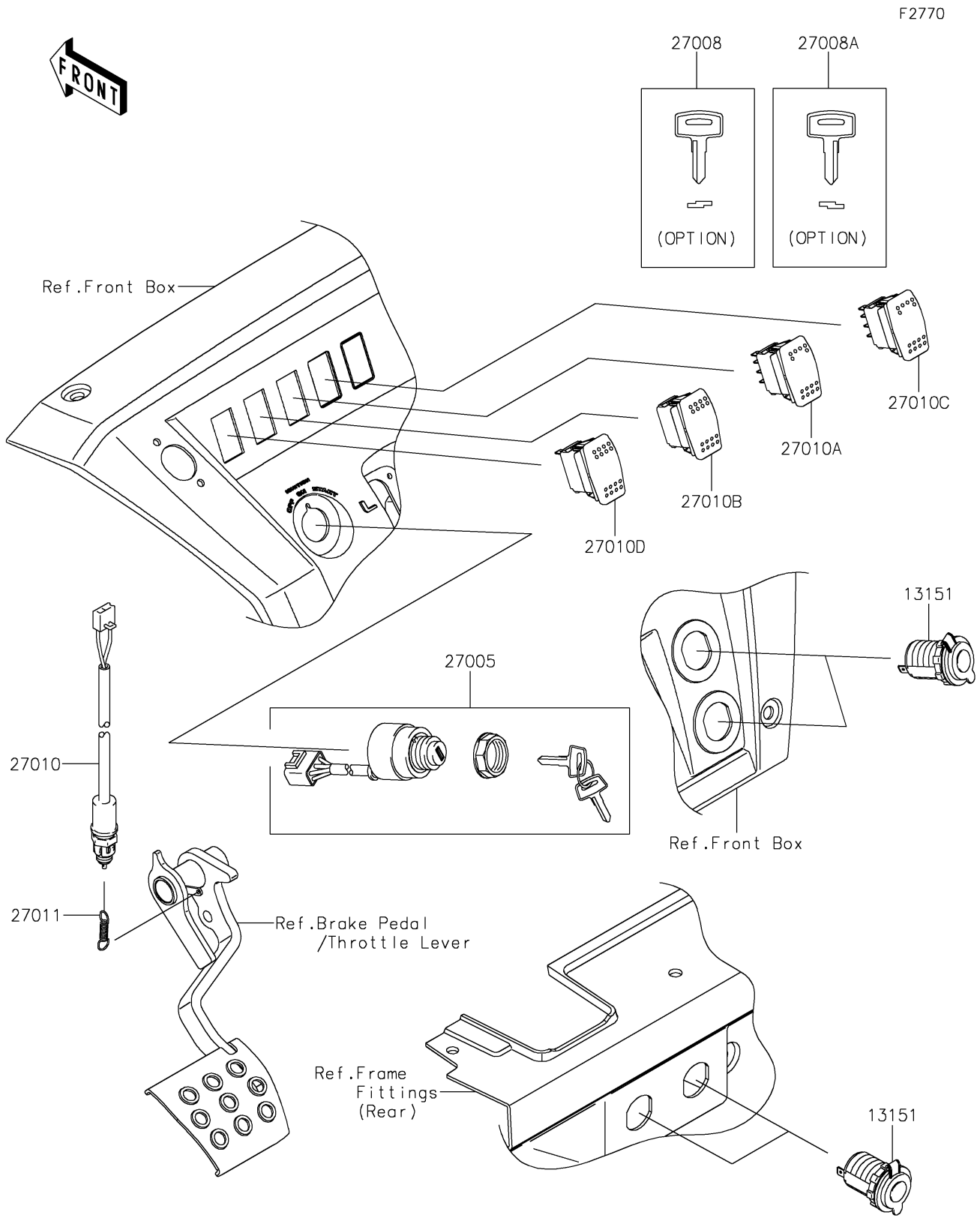


2019 MULE PRO-FXT™ RANCH EDITION

PARTS DIAGRAM

Ignition Switch



2019 MULE PRO-FXT™ RANCH EDITION



PARTS LIST

Ignition Switch

ITEM NAME	PART NUMBER	QUANTITY
-----------	-------------	----------
