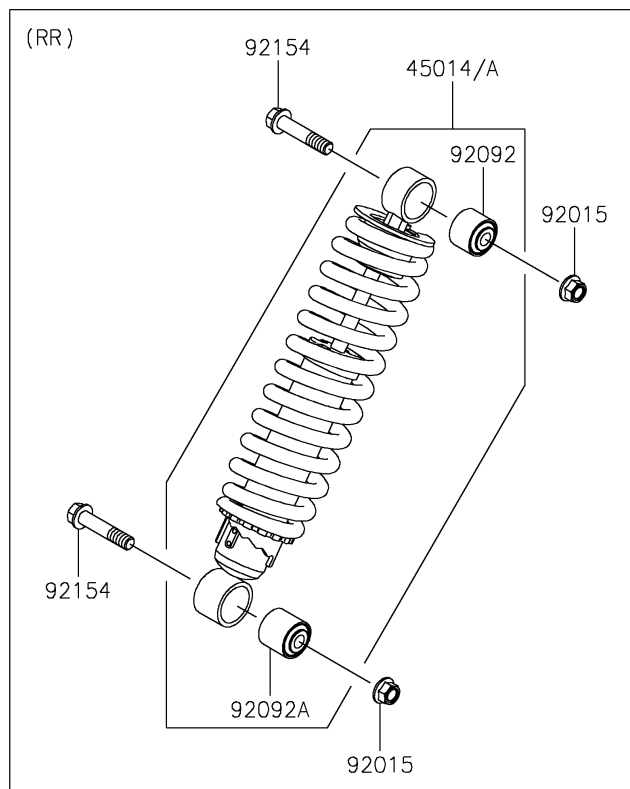
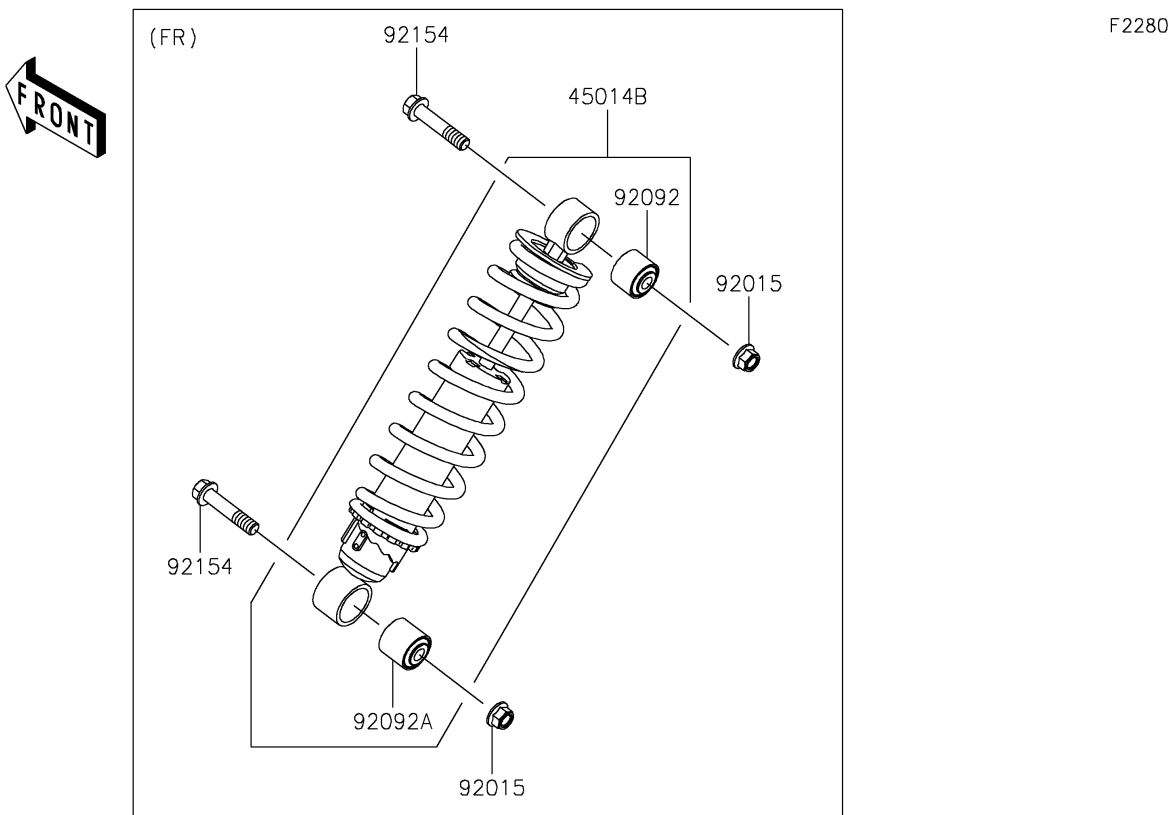


# 2019 MULE PRO-FXT™ RANCH EDITION

## PARTS DIAGRAM

### Shock Absorber(s)



# 2019 MULE PRO-FXT™ RANCH EDITION

**Kawasaki**  
Let the Good Times Roll®

## PARTS LIST

Shock Absorber(s)

**ITEM NAME**

**PART NUMBER**

**QUANTITY**

---